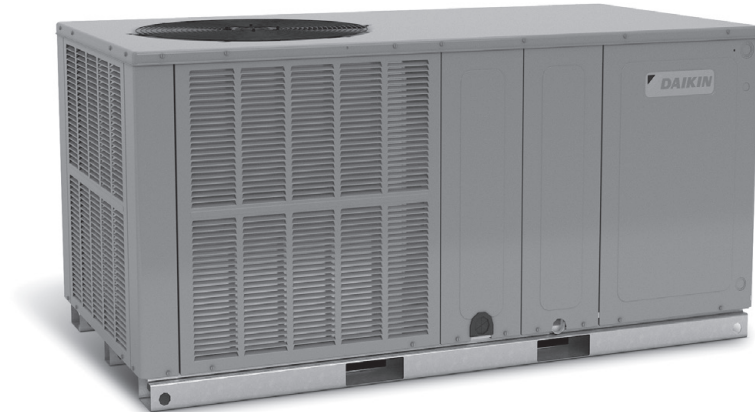


## PACKAGED AIR CONDITIONER 13.4 SEER2 / 2 TO 5 TONS



### ■ Contents

Nomenclature .....	2
Product Specifications .....	3
Expanded Cooling Data .....	5
Expanded Heating Data .....	16
Airflow Data .....	18
Heat Kit Electrical Data .....	19
Dimensions.....	21
Wiring Diagrams .....	22
Accessories.....	24

### ■ Standard Features

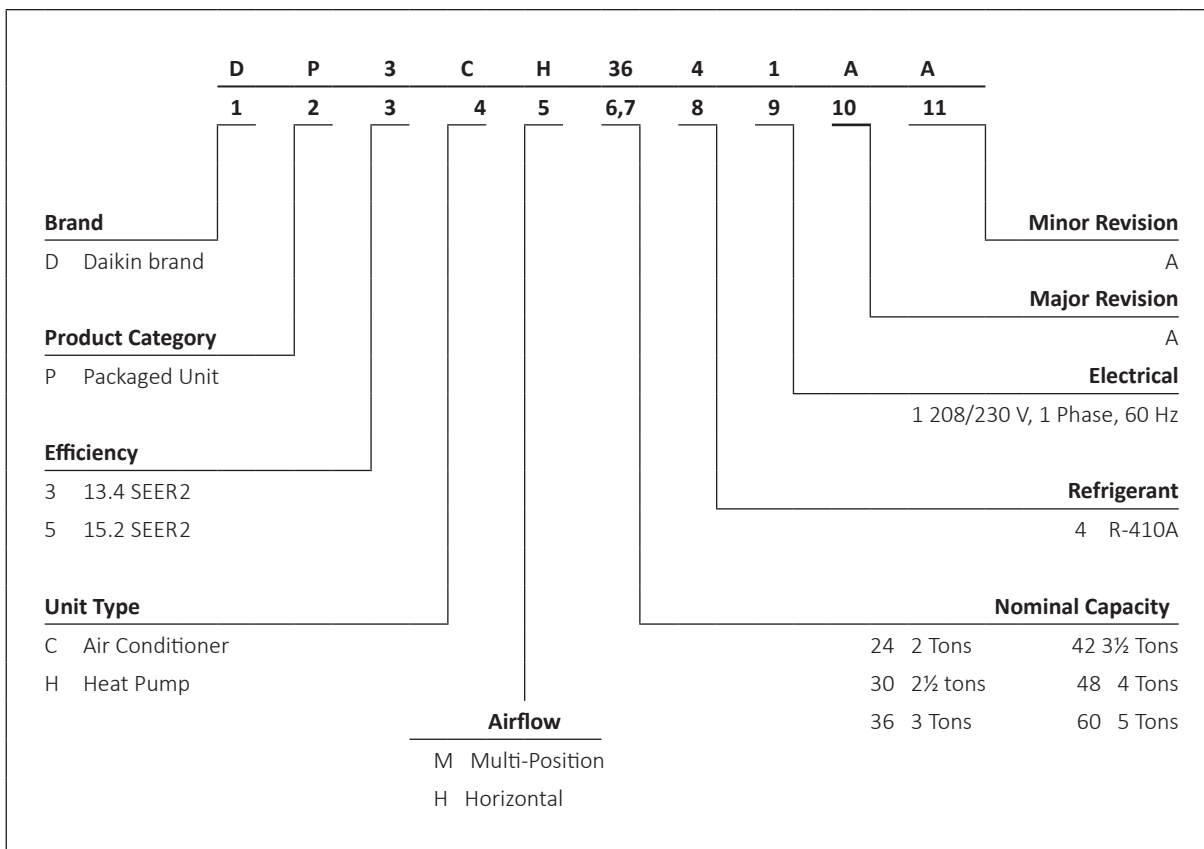
- Energy-efficient compressor with internal relief valve
- Multi-Speed ECM indoor blower motor
- Quiet horizontal discharge
- All-aluminum evaporator coil
- Copper tube / aluminum fin condenser coil
- Totally enclosed, permanently lubricated condenser fan motor
- Fully charged R-410A system
- 5 kW to 20 kW electric heat kit available as a field-installed option
- AHRI Certified; ETL listed

### ■ Cabinet Features

- Heavy-gauge galvanized-steel cabinet with attractive Nickel Gray powder-paint finish
- Compressor sound blanket
- One foot print; 2 heights
- Aluminum foil-facing internal insulation reinforced with fiberglass scrim
- Meets cabinet air leakage requirements when tested in accordance with ASHRAE standard 193
- Fully insulated blower compartment with convenient access panels
- Louvered condenser coil protection
- When properly anchored, meets the 2020 Florida Building Code unit integrity requirements for hurricane-type winds (Anchor bracket kits available.)



\* Complete warranty details available from your local dealer or at [www.daikincomfort.com](http://www.daikincomfort.com). To receive the 12-Year Parts Limited Warranty, online registration must be completed within 60 days of installation. Online registration is not required in California or Québec. The duration of warranty coverages in Texas differs in some cases.



	DP3CH 2441**	DP3CH 3041**	DP3CH 3641**	DP3CH 4241**	DP3CH 4841**	DP3CH 6041**
<b>COOLING CAPACITY</b>						
Total BTU/h	22,800	28,400	35,600	40,000	46,000	56,000
Sensible BTU/h	18,582	22,550	27,732	30,960	36,616	39,984
SEER2 / EER2	13.4 / 10.6	13.4 / 10.6	13.4 / 10.6	13.4 / 10.6	13.4 / 10.6	13.4 / 10.6
AHRI Numbers	208842373	208842383	208842373	208842373	208842373	208842373
<b>EVAPORATOR MOTOR</b>						
Type	ECM	ECM	ECM	ECM	ECM	ECM
Wheel (D x W)	10 x 8	10 x 8	10 x 8	10 x 8	10 x 8	11 x 8
Cooling CFM <sup>3</sup>	875	1,050	1,200	1,300	1,600	1,600
Fan-Only CFM	800	950	1,100	1,200	1,400	1,400
No. of Speeds	5	5	5	5	5	Variable
Horsepower - RPM	½ - 1050	½ - 1050	½ - 1050	½ - 1050	¾ - 1050	¾ - 1050
<b>EVAPORATOR COIL</b>						
Face Area (ft <sup>2</sup> )	5.26	5.25	5.25	6.2	6.2	7
Rows Deep	3	3	3	4	4	4
Fins per Inch	14	16	14	14	14	14
Metering Device Type	Piston	Piston	Piston	Piston	Piston	TXV
Drain Size (NPT)	¾"	¾"	¾"	¾"	¾"	¾"
Refrigerant Charge (oz.)	51	50	57	78	87	103
<b>CONDENSER FAN</b>						
Horsepower - RPM	1/6 - 810	1/6 - 815	¼ - 830	¼ - 1075	¼ - 1075	¼ - 1075
Fan Diameter	22	22	22	22	22	22
# of Fan Blades	3	3	3	4	4	4
<b>CONDENSER FAN COIL</b>						
Face Area (ft <sup>2</sup> )	9.3	12.3	12.3	16	19.5	17
Rows Deep	1	1	1	1	2	2
Fins per Inch	27	26	26	28	28	28
<b>COMPRESSOR</b>						
Quantity / Type / Stage	1 / Scroll / Single	1 / Scroll / Single	1 / Scroll / Single	1 / Scroll / Single	1 / Scroll / Single	1 / Scroll / Two
<b>SOUND POWER</b>						
dBA	76	76	78	78	80	80
<b>ELECTRICAL DATA</b>						
Compressor RLA/LRA	13.5 / 58.3	13.5/72.5	15.4 / 83.9	17.9 / 112	19.9 / 109	22.9 / 147.2
Voltage/Phase (60 Hz)	208-230 / 1	208-230 / 1	208-230 / 1	208-230 / 1	208-230 / 1	208-230 / 1
Indoor Blower FLA	3.8	3.8	3.8	5.4	5.4	6.8
Outdoor Fan RLA/LRA	0.95	0.95	1.3	1.4	1.4	1.4
M.C.A. <sup>1</sup>	21.6	21.6	24.4	29.2	31.7	36.8
M.O.P. <sup>2</sup>	35	35	35	45	50	50
<b>OPERATING WEIGHTS (LBS)</b>	315	315	375	375	375	400
<b>SHIPPING WEIGHTS (LBS)</b>	324	324	387	387	387	412

<sup>1</sup> Wire size should be determined in accordance with National Electrical Codes. Extensive wire runs will require larger wire sizes.

<sup>2</sup> Must use time-delay fuses or HACR-type circuit breakers of the same size as noted.

<sup>3</sup> Factory

**Note:** Always check the S&R plate for electrical data on the unit being installed.

IDB	AIRFLOW	OUTDOOR AMBIENT TEMPERATURE																							
		65				75				85				95				105				115			
		59	63	67	71	59	63	67	71	59	63	67	71	59	63	67	71	59	63	67	71	59	63	67	71
ENTERING INDOOR WET BULB TEMPERATURE																									
<b>70</b>	MBh	23.8	24.2	24.9	-	23.6	23.9	24.7	-	23.0	23.3	24.0	-	21.9	22.2	23.0	-	20.6	20.9	21.6	-	19.4	19.7	20.4	-
	S/T	0.58	0.50	0.36	-	0.59	0.51	0.36	-	0.62	0.54	0.39	-	1.00	0.56	0.41	-	1.00	0.58	0.43	-	1.00	0.63	0.49	-
	ΔT	19.36	17.65	14.46	-	19.32	17.61	14.41	-	19.56	17.85	14.65	-	19.30	17.59	14.39	-	19.07	17.36	14.16	-	20.14	18.43	15.24	-
	kW	1.56	1.56	1.55	-	1.76	1.76	1.76	-	1.99	1.98	1.98	-	2.23	2.23	2.23	-	2.50	2.50	2.50	-	2.82	2.82	2.82	-
	Amps	6.28	6.27	6.25	-	7.20	7.19	7.18	-	8.24	8.23	8.21	-	9.35	9.35	9.33	-	10.60	10.60	10.58	-	12.07	12.06	12.05	-
	Hi PR	261	262	264	-	303	304	306	-	346	347	349	-	393	394	396	-	444	445	447	-	497	499	500	-
	Lo PR	127	128	132	-	135	136	140	-	141	143	146	-	147	149	152	-	153	154	158	-	160	162	165	-
<b>80</b>	MBh	24.1	24.4	25.1	-	23.9	24.2	24.9	-	23.2	23.6	24.3	-	22.2	22.5	23.2	-	20.8	21.2	21.9	-	19.6	20.0	20.7	-
	S/T	0.66	0.58	0.44	-	0.67	0.59	0.44	-	0.70	0.62	0.47	-	1.00	0.64	0.49	-	1.00	0.66	0.51	-	1.00	0.71	0.57	-
	ΔT	18.27	16.56	13.36	-	18.22	16.51	13.31	-	18.46	16.75	13.55	-	18.20	16.49	13.30	-	17.97	16.26	13.07	-	19.05	17.33	14.14	-
	kW	1.57	1.57	1.56	-	1.77	1.77	1.77	-	2.00	2.00	1.99	-	2.24	2.24	2.24	-	2.51	2.51	2.51	-	2.84	2.83	2.83	-
	Amps	6.33	6.32	6.30	-	7.25	7.25	7.23	-	8.29	8.28	8.26	-	9.40	9.40	9.38	-	10.65	10.65	10.63	-	12.12	12.11	12.10	-
	Hi PR	263	265	266	-	305	306	308	-	348	350	351	-	395	396	398	-	446	447	449	-	500	501	503	-
	Lo PR	128	130	133	-	136	138	141	-	143	145	148	-	149	150	154	-	155	156	159	-	162	163	166	-
<b>887</b>	MBh	24.3	24.7	25.4	-	24.1	24.4	25.2	-	23.5	23.8	24.5	-	22.4	22.7	23.5	-	21.1	21.4	22.1	-	19.9	20.2	20.9	-
	S/T	0.71	0.63	0.48	-	0.72	0.64	0.49	-	1.00	0.66	0.52	-	1.00	0.68	0.54	-	1.00	0.71	0.56	-	1.00	1.00	0.62	-
	ΔT	17.47	15.76	12.57	-	17.43	15.72	12.52	-	17.67	15.96	12.76	-	17.41	15.70	12.50	-	17.18	15.47	12.27	-	18.25	16.54	13.35	-
	kW	1.58	1.58	1.57	-	1.78	1.78	1.77	-	2.01	2.00	2.00	-	2.25	2.25	2.24	-	2.52	2.52	2.52	-	2.84	2.84	2.84	-
	Amps	6.36	6.36	6.34	-	7.29	7.28	7.27	-	8.32	8.32	8.30	-	9.44	9.43	9.42	-	10.69	10.68	10.67	-	12.16	12.15	12.13	-
	Hi PR	265	266	268	-	307	308	310	-	350	351	353	-	397	398	400	-	447	449	450	-	501	502	504	-
	Lo PR	130	132	135	-	138	139	143	-	145	146	149	-	150	152	155	-	156	158	161	-	163	165	168	-
<b>75</b>	MBh	23.8	24.2	24.9	26.0	23.6	24.0	24.7	25.8	23.0	23.3	24.1	25.1	21.9	22.3	23.0	24.1	20.6	20.9	21.7	22.7	19.4	19.7	20.5	21.5
	S/T	0.72	0.64	0.49	0.3	1.00	0.65	0.50	0.3	1.00	0.67	0.53	0.4	1.00	0.69	0.55	0.4	1.00	0.72	0.57	0.4	1.00	1.00	0.63	0.5
	ΔT	23.13	21.42	18.22	14.9	23.08	21.37	18.17	14.9	23.32	21.61	18.41	15.1	23.06	21.35	18.16	14.8	22.84	21.12	17.93	14.6	23.91	22.20	19.00	15.7
	kW	1.56	1.56	1.55	1.6	1.76	1.76	1.75	1.8	1.99	1.98	1.98	2.0	2.23	2.23	2.22	2.2	2.50	2.50	2.50	2.5	2.82	2.82	2.82	2.8
	Amps	6.27	6.26	6.25	6.3	7.20	7.19	7.17	7.2	8.23	8.22	8.21	8.3	9.35	9.34	9.32	9.4	10.60	10.59	10.57	10.6	12.06	12.06	12.04	12.1
	Hi PR	262	263	265	269	303	304	306	311	347	348	350	354	393	394	396	401	444	445	447	451	498	499	501	505
	Lo PR	127	128	132	137	135	136	140	145	142	143	146	152	147	149	152	158	153	155	158	163	160	162	165	170
<b>80</b>	MBh	24.1	24.4	25.1	26.2	23.9	24.2	24.9	26.0	23.2	23.6	24.3	25.4	22.2	22.5	23.2	24.3	20.8	21.2	21.9	23.0	19.6	20.0	20.7	21.8
	S/T	0.80	0.72	0.57	0.4	1.00	0.73	0.58	0.4	1.00	0.75	0.61	0.5	1.00	0.77	0.63	0.5	1.00	1.00	0.65	0.5	1.00	1.00	0.71	0.6
	ΔT	22.03	20.32	17.12	13.8	21.98	20.27	17.08	13.8	22.22	20.51	17.32	14.0	21.97	20.25	17.06	13.7	21.74	20.03	16.83	13.5	22.81	21.10	17.90	14.6
	kW	1.57	1.57	1.56	1.6	1.77	1.77	1.77	1.8	2.00	1.99	1.99	2.0	2.24	2.24	2.24	2.3	2.51	2.51	2.51	2.5	2.83	2.83	2.83	2.8
	Amps	6.32	6.31	6.30	6.4	7.25	7.24	7.22	7.3	8.28	8.27	8.26	8.3	9.40	9.39	9.38	9.4	10.65	10.64	10.62	10.7	12.11	12.11	12.09	12.2
	Hi PR	264	265	267	271	305	306	308	313	349	350	352	356	395	397	398	403	446	447	449	454	500	501	503	507
	Lo PR	129	130	133	139	136	138	141	147	143	145	148	153	149	150	154	159	155	156	159	165	162	163	167	172
<b>887</b>	MBh	24.3	24.7	25.4	26.5	24.1	24.5	25.2	26.3	23.5	23.8	24.6	25.6	22.4	22.8	23.5	24.6	21.1	21.4	22.2	23.3	19.9	20.2	21.0	22.0
	S/T	0.85	0.77	0.62	0.5	1.00	0.77	0.63	0.5	1.00	0.80	0.66	0.5	1.00	0.82	0.68	0.5	1.00	1.00	0.70	0.5	1.00	1.00	0.75	0.6
	ΔT	21.24	19.53	16.33	13.0	21.19	19.48	16.28	13.0	21.43	19.72	16.52	13.2	21.17	19.46	16.27	13.0	20.94	19.23	16.04	12.7	22.02	20.30	17.11	13.8
	kW	1.58	1.57	1.57	1.6	1.78	1.78	1.77	1.8	2.00	2.00	2.00	2.0	2.25	2.25	2.24	2.3	2.52	2.52	2.52	2.5	2.84	2.84	2.84	2.9
	Amps	6.36	6.35	6.34	6.4	7.28	7.28	7.26	7.3	8.32	8.31	8.29	8.4	9.44	9.43	9.41	9.5	10.68	10.68	10.66	10.7	12.15	12.14	12.13	12.2
	Hi PR	265	267	268	273	307	308	310	315	350	352	353	358	397	398	400	405	448	449	451	455	502	503	505	509
	Lo PR	130	132	135	140	138	139	143	148	145	146	149	155	150	152	155	161	156	158	161	166	163	165	168	173

IDB = Entering Indoor Dry Bulb Temperature  
 High and low pressures are measured at the liquid and suction access fittings.  
 Design Subcooling, 5-7°F @ the liquid access fitting connection AHRJ 95 test conditions. Design Superheat 15-18°F @ the compressor suction access fitting connection.  
 Shaded area reflects AHRJ (TVA) conditions.  
 kW = Total system power  
 Amps: Unit amps (comp.+ evaporator + condenser fan motors)

IDB	AIRFLOW	OUTDOOR AMBIENT TEMPERATURE												ENTERING INDOOR WET BULB TEMPERATURE											
		65				75				85				95				105				115			
		59	63	67	71	59	63	67	71	59	63	67	71	59	63	67	71	59	63	67	71	59	63	67	71
<b>700</b>	MBh	24.0	24.3	25.0	26.1	23.7	24.1	24.8	25.9	23.1	23.5	24.2	25.3	22.0	22.4	23.1	24.2	20.7	21.1	21.8	22.9	19.5	19.9	20.6	21.7
	S/T	1.00	0.77	0.63	0.5	1.00	0.78	0.64	0.5	1.00	0.81	0.66	0.5	1.00	1.00	0.68	0.5	1.00	1.00	0.71	0.6	1.00	1.00	0.76	0.6
	ΔT	26.92	25.21	22.01	18.7	26.87	25.16	21.96	18.7	27.11	25.40	22.20	18.9	26.85	25.14	21.95	18.6	26.62	24.91	21.72	18.4	27.70	25.98	22.79	19.5
	kW	1.56	1.56	1.55	1.6	1.76	1.76	1.76	1.8	1.99	1.98	1.98	2.0	2.23	2.23	2.23	2.2	2.50	2.50	2.50	2.5	2.82	2.82	2.82	2.8
	Amps	6.28	6.27	6.25	6.3	7.20	7.19	7.18	7.2	8.23	8.23	8.21	8.3	9.35	9.35	9.33	9.4	10.60	10.59	10.58	10.6	12.07	12.06	12.04	12.1
	Hi/PR	262	263	265	270	304	305	307	311	347	348	350	355	394	395	397	401	444	445	447	452	498	499	501	506
Lo/PR	127	129	132	138	135	137	140	146	142	144	147	152	148	149	153	158	154	155	158	164	161	162	165	171	
<b>800</b>	MBh	24.2	24.6	25.3	26.4	24.0	24.3	25.1	26.1	23.4	23.7	24.4	25.5	22.3	22.6	23.3	24.4	21.0	21.3	22.0	23.1	19.8	20.1	20.8	21.9
	S/T	1.00	0.85	0.71	0.6	1.00	0.86	0.72	0.6	1.00	0.89	0.74	0.6	1.00	1.00	0.76	0.6	1.00	1.00	0.79	0.6	1.00	1.00	1.00	0.7
	ΔT	25.82	24.11	20.91	17.6	25.77	24.06	20.87	17.6	26.01	24.30	21.11	17.8	25.76	24.04	20.85	17.5	25.53	23.82	20.62	17.3	26.60	24.89	21.69	18.4
	kW	1.57	1.57	1.56	1.6	1.77	1.77	1.77	1.8	2.00	2.00	1.99	2.0	2.24	2.24	2.24	2.3	2.51	2.51	2.51	2.5	2.83	2.83	2.83	2.8
	Amps	6.33	6.32	6.30	6.4	7.25	7.24	7.23	7.3	8.29	8.28	8.26	8.3	9.40	9.40	9.38	9.5	10.65	10.65	10.63	10.7	12.12	12.11	12.10	12.2
	Hi/PR	264	265	267	272	306	307	309	313	349	350	352	357	396	397	399	404	446	448	449	454	500	501	503	508
Lo/PR	129	131	134	139	137	138	142	147	144	145	149	154	149	151	154	160	155	157	160	165	162	164	167	173	
<b>887</b>	MBh	24.5	24.8	25.5	26.6	24.2	24.6	25.3	26.4	23.6	24.0	24.7	25.8	22.5	22.9	23.6	24.7	21.2	21.6	22.3	23.4	20.0	20.4	21.1	22.2
	S/T	1.00	0.90	0.76	0.6	1.00	0.91	0.76	0.6	1.00	1.00	0.79	0.6	1.00	1.00	0.81	0.7	1.00	1.00	0.83	0.7	1.00	1.00	1.00	0.7
	ΔT	25.03	23.31	20.12	16.8	24.98	23.27	20.07	16.8	25.22	23.51	20.31	17.0	24.96	23.25	20.05	16.7	24.73	23.02	19.83	16.5	25.81	24.09	20.90	17.6
	kW	1.58	1.58	1.57	1.6	1.78	1.78	1.77	1.8	2.01	2.00	2.00	2.0	2.25	2.25	2.24	2.3	2.52	2.52	2.52	2.5	2.84	2.84	2.84	2.9
	Amps	6.36	6.36	6.34	6.4	7.29	7.28	7.27	7.3	8.32	8.31	8.30	8.4	9.44	9.43	9.42	9.5	10.69	10.68	10.67	10.7	12.16	12.15	12.13	12.2
	Hi/PR	266	267	269	274	307	309	310	315	351	352	354	358	398	399	401	405	448	449	451	456	502	503	505	510
Lo/PR	131	132	135	141	138	140	143	149	145	147	150	155	151	153	156	161	157	158	161	167	164	165	169	174	
<b>700</b>	MBh	24.4	24.7	25.4	26.5	24.2	24.5	25.2	26.3	23.5	23.9	24.6	25.7	22.4	22.8	23.5	24.6	21.1	21.5	22.2	23.3	19.9	20.3	21.0	22.1
	S/T	1.00	0.88	0.74	0.6	1.00	1.00	0.74	0.6	1.00	1.00	0.77	0.6	1.00	1.00	0.79	0.6	1.00	1.00	0.80	0.7	1.00	1.00	1.00	0.7
	ΔT	30.28	28.57	25.37	22.1	30.23	28.52	25.32	22.0	30.47	28.76	25.56	22.3	30.21	28.50	25.31	22.0	29.98	28.27	25.08	21.8	31.06	29.34	26.15	22.8
	kW	1.56	1.56	1.56	1.6	1.76	1.76	1.76	1.8	1.99	1.99	1.99	2.0	2.23	2.23	2.23	2.2	2.51	2.51	2.50	2.5	2.83	2.83	2.82	2.8
	Amps	6.29	6.29	6.27	6.3	7.22	7.21	7.20	7.3	8.25	8.24	8.23	8.3	9.37	9.36	9.35	9.4	10.62	10.61	10.60	10.7	12.09	12.08	12.06	12.1
	Hi/PR	263	264	266	271	305	306	308	312	348	349	351	356	395	396	398	403	446	447	449	453	499	501	502	507
Lo/PR	129	131	134	140	137	139	142	147	144	146	149	154	150	151	155	160	155	157	160	166	163	164	167	173	
<b>800</b>	MBh	24.6	25.0	25.7	26.8	24.4	24.7	25.5	26.6	23.8	24.1	24.8	25.9	22.7	23.0	23.8	24.8	21.4	21.7	22.4	23.5	20.2	20.5	21.2	22.3
	S/T	1.00	0.96	0.82	0.7	1.00	1.00	0.82	0.7	1.00	1.00	0.85	0.7	1.00	1.00	0.87	0.7	1.00	1.00	0.87	0.7	1.00	1.00	1.00	0.8
	ΔT	29.18	27.47	24.27	21.0	29.13	27.42	24.23	20.9	29.37	27.66	24.47	21.2	29.12	27.40	24.21	20.9	28.89	27.18	23.98	20.7	29.96	28.25	25.05	21.7
	kW	1.57	1.57	1.57	1.6	1.78	1.77	1.77	1.8	2.00	2.00	2.00	2.0	2.25	2.24	2.24	2.3	2.52	2.52	2.51	2.5	2.84	2.84	2.83	2.8
	Amps	6.34	6.34	6.32	6.4	7.27	7.26	7.25	7.3	8.30	8.30	8.28	8.4	9.42	9.41	9.40	9.5	10.67	10.66	10.65	10.7	12.14	12.13	12.11	12.2
	Hi/PR	265	267	268	273	307	308	310	315	350	352	353	358	397	398	400	405	448	449	451	455	502	503	505	509
Lo/PR	131	133	136	141	139	140	144	149	146	147	150	156	151	153	156	162	157	159	162	167	164	166	169	174	
<b>887</b>	MBh	24.9	25.2	25.9	27.0	24.7	25.0	25.7	26.8	24.0	24.4	25.1	26.2	22.9	23.3	24.0	25.1	21.6	22.0	22.7	23.8	20.4	20.8	21.5	22.6
	S/T	1.00	1.00	0.86	0.7	1.00	1.00	0.87	0.7	1.00	1.00	0.90	0.7	1.00	1.00	0.92	0.8	1.00	1.00	0.90	0.8	1.00	1.00	1.00	0.8
	ΔT	28.39	26.68	23.48	20.2	28.34	26.63	23.43	20.1	28.58	26.87	23.67	20.4	28.32	26.61	23.42	20.1	28.09	26.38	23.19	19.9	29.17	27.45	24.26	20.9
	kW	1.58	1.58	1.58	1.6	1.78	1.78	1.78	1.8	2.01	2.01	2.00	2.0	2.25	2.25	2.25	2.3	2.53	2.52	2.52	2.5	2.85	2.85	2.84	2.9
	Amps	6.38	6.37	6.36	6.4	7.31	7.30	7.28	7.4	8.34	8.33	8.32	8.4	9.46	9.45	9.43	9.5	10.71	10.70	10.68	10.8	12.17	12.17	12.15	12.2
	Hi/PR	267	268	270	275	309	310	312	316	352	353	355	360	399	400	402	407	449	451	452	457	503	504	506	511
Lo/PR	132	134	137	143	140	142	145	151	147	149	152	157	153	154	158	163	159	160	163	169	166	167	170	176	

IDB = Entering Indoor Dry Bulb Temperature  
 High and low pressures are measured at the liquid and suction access fittings.  
 Design Subcooling, 5-7 °F @ the liquid access fitting connection AHR1 95 test conditions. Design Superheat 15-18°F @ the compressor suction access fitting connection.  
 Shaded area reflects AHR1 conditions.  
 Amps: Unit amps (comp.+ evaporator + condenser fan motors)  
 kW = Total system power

IDB	AIRFLOW	OUTDOOR AMBIENT TEMPERATURE																																									
		65							75							85							95							105							115						
		59	63	67	71	59	63	67	71	59	63	67	71	59	63	67	71	59	63	67	71	59	63	67	71	59	63	67	71	59	63	67	71	59	63	67	71	59	63	67	71		
70	887	MBh	24.3	24.7	25.4	-	24.1	24.4	25.2	-	23.5	23.8	24.5	-	22.4	22.7	23.5	-	21.1	21.4	22.1	-	19.9	20.2	20.9	-	21.1	21.4	22.1	-	19.9	20.2	20.9	-	21.1	21.4	22.1	-	19.9	20.2	20.9	-	
		S/T	0.71	0.63	0.48	-	0.72	0.64	0.49	-	1.00	0.66	0.52	-	1.00	0.68	0.54	-	1.00	0.71	0.56	-	1.00	1.00	0.62	-	1.00	0.71	0.56	-	1.00	1.00	0.62	-	1.00	0.71	0.56	-	1.00	1.00	0.62	-	
	ΔT	17.20	15.51	12.37	-	17.15	15.47	12.32	-	17.39	15.70	12.56	-	17.13	15.45	12.30	-	16.91	15.22	12.08	-	17.96	16.28	13.13	-	16.91	15.22	12.08	-	17.96	16.28	13.13	-	16.91	15.22	12.08	-	17.96	16.28	13.13	-		
	kW	1.58	1.58	1.57	-	1.78	1.78	1.77	-	2.01	2.00	2.00	-	2.25	2.25	2.24	-	2.52	2.52	2.52	-	2.84	2.84	2.84	-	2.52	2.52	2.52	-	2.84	2.84	2.84	-	2.52	2.52	2.52	-	2.84	2.84	2.84	-		
	Amps	6.36	6.36	6.34	-	7.29	7.28	7.27	-	8.32	8.32	8.30	-	9.44	9.43	9.42	-	10.69	10.68	10.67	-	12.16	12.15	12.13	-	10.69	10.68	10.67	-	12.16	12.15	12.13	-	10.69	10.68	10.67	-	12.16	12.15	12.13	-		
	Hi PR	265	266	268	-	307	308	310	-	350	351	353	-	397	398	400	-	447	449	450	-	501	502	504	-	447	449	450	-	501	502	504	-	447	449	450	-	501	502	504	-		
	Lo PR	130	132	135	-	138	139	143	-	145	146	149	-	150	152	155	-	156	158	161	-	163	165	168	-	156	158	161	-	163	165	168	-	156	158	161	-	163	165	168	-		
	1000	MBh	24.7	25.1	25.8	-	24.5	24.8	25.6	-	23.9	24.2	24.9	-	22.8	23.1	23.8	-	21.5	21.8	22.5	-	20.3	20.6	21.3	-	21.5	21.8	22.5	-	20.3	20.6	21.3	-	21.5	21.8	22.5	-	20.3	20.6	21.3	-	
		S/T	0.75	0.67	0.52	-	0.75	0.67	0.53	-	1.00	0.70	0.55	-	1.00	0.72	0.58	-	1.00	0.74	0.60	-	1.00	1.00	0.65	-	1.00	0.74	0.60	-	1.00	1.00	0.65	-	1.00	0.74	0.60	-	1.00	1.00	0.65	-	
	ΔT	16.32	14.64	11.49	-	16.28	14.59	11.45	-	16.52	14.83	11.69	-	16.26	14.58	11.43	-	16.04	14.35	11.21	-	17.09	15.41	12.26	-	16.04	14.35	11.21	-	17.09	15.41	12.26	-	16.04	14.35	11.21	-	17.09	15.41	12.26	-		
kW	1.59	1.58	1.58	-	1.79	1.79	1.78	-	2.01	2.01	2.01	-	2.26	2.26	2.25	-	2.53	2.53	2.53	-	2.85	2.85	2.85	-	2.53	2.53	2.53	-	2.85	2.85	2.85	-	2.53	2.53	2.53	-	2.85	2.85	2.85	-			
Amps	6.41	6.40	6.38	-	7.33	7.32	7.31	-	8.36	8.36	8.34	-	9.48	9.48	9.46	-	10.73	10.72	10.71	-	12.20	12.19	12.17	-	10.73	10.72	10.71	-	12.20	12.19	12.17	-	10.73	10.72	10.71	-	12.20	12.19	12.17	-			
Hi PR	267	269	270	-	309	310	312	-	352	354	355	-	399	400	402	-	450	451	453	-	504	505	507	-	450	451	453	-	504	505	507	-	450	451	453	-	504	505	507	-			
Lo PR	132	134	137	-	140	141	145	-	147	148	152	-	153	154	157	-	158	160	163	-	165	167	170	-	158	160	163	-	165	167	170	-	158	160	163	-	165	167	170	-			
1125	MBh	25.2	25.6	26.3	-	25.0	25.4	26.1	-	24.4	24.7	25.4	-	23.3	23.7	24.4	-	22.0	22.3	23.1	-	20.8	21.1	21.8	-	22.0	22.3	23.1	-	20.8	21.1	21.8	-	22.0	22.3	23.1	-	20.8	21.1	21.8	-		
	S/T	0.76	0.68	0.53	-	0.77	0.68	0.54	-	1.00	0.71	0.57	-	1.00	0.73	0.59	-	1.00	0.76	0.61	-	1.00	1.00	0.67	-	1.00	0.76	0.61	-	1.00	1.00	0.67	-	1.00	0.76	0.61	-	1.00	1.00	0.67	-		
ΔT	15.47	13.79	10.64	-	15.43	13.74	10.60	-	15.67	13.98	10.84	-	15.41	13.73	10.58	-	15.19	13.50	10.36	-	16.24	14.56	11.41	-	15.19	13.50	10.36	-	16.24	14.56	11.41	-	15.19	13.50	10.36	-	16.24	14.56	11.41	-			
kW	1.60	1.59	1.59	-	1.80	1.80	1.79	-	2.02	2.02	2.02	-	2.27	2.27	2.26	-	2.54	2.54	2.54	-	2.86	2.86	2.86	-	2.27	2.27	2.26	-	2.86	2.86	2.86	-	2.27	2.27	2.26	-	2.86	2.86	2.86	-			
Amps	6.45	6.44	6.42	-	7.37	7.36	7.35	-	8.40	8.40	8.38	-	9.52	9.51	9.50	-	10.77	10.76	10.75	-	12.24	12.23	12.21	-	10.77	10.76	10.75	-	12.24	12.23	12.21	-	10.77	10.76	10.75	-	12.24	12.23	12.21	-			
Hi PR	270	271	273	-	311	313	314	-	355	356	358	-	402	403	405	-	452	453	455	-	506	507	509	-	452	453	455	-	506	507	509	-	452	453	455	-	506	507	509	-			
Lo PR	135	136	140	-	143	144	147	-	149	151	154	-	155	157	160	-	161	162	166	-	168	170	173	-	161	162	166	-	168	170	173	-	161	162	166	-	168	170	173	-			

IDB = Entering Indoor Dry Bulb Temperature  
 High and low pressures are measured at the liquid and suction access fittings.  
 Design Subcooling, 5-7°F @ the liquid access fitting connection AHRJ 95 test conditions. Design Superheat 15-18°F @ the compressor suction access fitting connection.  
 Shaded area reflects AHRJ (TVA) conditions.  
 Amps: Unit amps (comp.+ evaporator + condenser fan motors)  
 kW = Total system power

IDB	Airflow	Outdoor Ambient Temperature											115°F																		
		65°F			75°F			85°F			95°F			105°F			115°F														
		59	63	67	71	75	79	83	87	91	95	59	63	67	71	75	79	83	87	91	95	59	63	67	71	75	79	83	87	91	95
		Entering Indoor Wet Bulb Temperature																													
<b>887</b>	MBh	24.5	24.8	25.5	26.6	24.2	24.6	25.3	26.4	23.6	24.0	24.7	25.8	22.5	22.9	23.6	24.7	21.2	21.6	22.3	23.4	20.0	20.4	21.1	22.2						
	S/T	1.00	0.90	0.76	0.6	1.00	0.91	0.76	0.6	1.00	1.00	0.79	0.6	1.00	1.00	<b>0.81</b>	0.7	1.00	1.00	0.83	0.7	1.00	1.00	1.00	0.7						
	ΔT	24.63	22.94	19.80	16.5	24.58	22.90	19.75	16.5	24.82	23.14	19.99	16.7	24.57	22.88	<b>19.74</b>	16.5	24.34	22.66	19.51	16.3	25.40	23.71	20.57	17.3						
	kW	1.58	1.58	1.57	1.6	1.78	1.78	1.77	1.8	2.01	2.00	2.00	2.0	2.25	2.25	<b>2.24</b>	2.3	2.52	2.52	2.52	2.5	2.84	2.84	2.84	2.9						
	Amps	6.36	6.36	6.34	6.4	7.29	7.28	7.27	7.3	8.32	8.31	8.30	8.4	9.44	9.43	<b>9.42</b>	9.5	10.69	10.68	10.67	10.7	12.16	12.15	12.13	12.2						
	Hi/PR	266	267	269	274	307	309	310	315	351	352	354	358	398	399	<b>401</b>	405	448	449	451	456	502	503	505	510						
Lo/PR	131	132	135	141	138	140	143	149	145	147	150	155	151	153	<b>156</b>	161	157	158	161	167	164	165	169	174							
<b>80</b>	MBh	24.9	25.2	25.9	27.0	24.6	25.0	25.7	26.8	24.0	24.3	25.1	26.2	22.9	23.3	24.0	25.1	21.6	22.0	22.7	23.8	20.4	20.7	21.5	22.6						
	S/T	1.00	0.94	0.79	0.6	1.00	0.94	0.80	0.6	1.00	1.00	0.83	0.7	1.00	1.00	0.85	0.7	1.00	1.00	0.87	0.7	1.00	1.00	1.00	0.8						
	ΔT	23.76	22.07	18.93	15.7	23.71	22.03	18.88	15.6	23.95	22.26	19.12	15.9	23.69	22.01	18.86	15.6	23.47	21.78	18.64	15.4	24.52	22.84	19.69	16.4						
	kW	1.59	1.58	1.58	1.6	1.79	1.79	1.78	1.8	2.01	2.01	2.01	2.0	2.26	2.26	2.25	2.3	2.53	2.53	2.53	2.5	2.85	2.85	2.85	2.9						
	Amps	6.40	6.40	6.38	6.5	7.33	7.32	7.31	7.4	8.36	8.36	8.34	8.4	9.48	9.47	9.46	9.5	10.73	10.72	10.71	10.8	12.20	12.19	12.17	12.2						
	Hi/PR	268	269	271	276	310	311	313	317	353	354	356	361	400	401	403	408	450	452	453	458	504	505	507	512						
Lo/PR	133	134	138	143	141	142	145	151	147	149	152	155	156	157	161	166	161	163	166	172	169	170	173	179							
<b>1125</b>	MBh	25.4	25.7	26.4	27.5	25.2	25.5	26.2	27.3	24.5	24.9	25.6	26.7	23.5	23.8	24.5	25.6	22.1	22.5	23.2	24.3	20.9	21.3	22.0	23.1						
	S/T	1.00	0.95	0.80	0.7	1.00	0.96	0.81	0.7	1.00	1.00	0.84	0.7	1.00	1.00	0.86	0.7	1.00	1.00	0.88	0.7	1.00	1.00	1.00	0.8						
	ΔT	22.91	21.22	18.08	14.8	22.86	21.18	18.03	14.8	23.10	21.41	18.27	15.0	22.84	21.16	18.01	14.8	22.62	20.93	17.79	14.5	23.67	21.99	18.84	15.6						
	kW	1.59	1.59	1.59	1.6	1.80	1.80	1.79	1.8	2.02	2.02	2.02	2.0	2.27	2.27	2.26	2.3	2.54	2.54	2.54	2.6	2.86	2.86	2.86	2.9						
	Amps	6.44	6.44	6.42	6.5	7.37	7.36	7.35	7.4	8.40	8.40	8.38	8.5	9.52	9.51	9.50	9.6	10.77	10.76	10.75	10.8	12.24	12.23	12.21	12.3						
	Hi/PR	271	272	274	278	312	313	315	320	356	357	359	363	402	404	405	410	453	454	456	460	507	508	510	514						
Lo/PR	135	137	140	146	143	145	148	154	150	152	155	160	156	157	161	166	161	163	166	172	169	170	173	179							
<b>887</b>	MBh	24.9	25.2	25.9	27.0	24.7	25.0	25.7	26.8	24.0	24.4	25.1	26.2	22.9	23.3	24.0	25.1	21.6	22.0	22.7	23.8	20.4	20.8	21.5	22.6						
	S/T	1.00	0.90	0.86	0.7	1.00	1.00	0.87	0.7	1.00	1.00	0.90	0.7	1.00	1.00	0.92	0.8	1.00	1.00	1.00	0.8	1.00	1.00	1.00	0.8						
	ΔT	27.94	26.25	23.11	19.8	27.89	26.21	23.06	19.8	28.13	26.44	23.30	20.0	27.87	26.19	23.04	19.8	27.65	25.96	22.82	19.6	28.70	27.02	23.87	20.6						
	kW	1.58	1.58	1.58	1.6	1.78	1.78	1.78	1.8	2.01	2.01	2.00	2.0	2.25	2.25	2.25	2.3	2.53	2.52	2.52	2.5	2.85	2.85	2.85	2.9						
	Amps	6.38	6.37	6.36	6.4	7.31	7.30	7.28	7.4	8.34	8.33	8.32	8.4	9.46	9.45	9.43	9.5	10.71	10.70	10.68	10.8	12.17	12.17	12.15	12.2						
	Hi/PR	267	268	270	275	309	310	312	316	352	353	355	360	399	400	402	407	449	449	451	452	503	504	506	511						
Lo/PR	132	134	137	143	140	142	145	151	147	149	152	157	153	154	158	163	159	160	163	169	166	167	170	176							
<b>1000</b>	MBh	25.3	25.6	26.3	27.4	25.0	25.4	26.1	27.2	24.4	24.8	25.5	26.6	23.3	23.7	24.4	25.5	22.0	22.4	23.1	24.2	20.8	21.2	21.9	23.0						
	S/T	1.00	1.00	0.90	0.7	1.00	1.00	0.91	0.8	1.00	1.00	0.93	0.8	1.00	1.00	1.00	0.8	1.00	1.00	1.00	0.8	1.00	1.00	1.00	0.9						
	ΔT	27.06	25.38	22.23	19.0	27.02	25.33	22.19	18.9	27.26	25.57	22.43	19.2	27.00	25.32	22.17	18.9	26.78	25.09	21.95	18.7	27.83	26.15	23.00	19.7						
	kW	1.59	1.59	1.59	1.6	1.79	1.79	1.79	1.8	2.02	2.02	2.01	2.0	2.26	2.26	2.26	2.3	2.54	2.53	2.53	2.5	2.86	2.85	2.85	2.9						
	Amps	6.42	6.41	6.40	6.5	7.35	7.34	7.32	7.4	8.38	8.37	8.36	8.4	9.50	9.49	9.48	9.5	10.75	10.74	10.73	10.8	12.21	12.21	12.19	12.3						
	Hi/PR	269	271	272	277	311	312	314	318	354	355	357	362	401	402	404	409	452	453	455	459	506	507	508	513						
Lo/PR	135	136	139	145	142	144	147	153	149	151	154	160	155	157	160	165	161	162	166	171	168	169	173	178							
<b>1125</b>	MBh	25.8	26.1	26.8	27.9	25.6	25.9	26.6	27.7	24.9	25.3	26.0	27.1	23.9	24.2	24.9	26.0	22.5	22.9	23.6	24.7	21.3	21.7	22.4	23.5						
	S/T	1.00	1.00	0.91	0.8	1.00	1.00	0.92	0.8	1.00	1.00	0.95	0.8	1.00	1.00	1.00	0.8	1.00	1.00	1.00	0.8	1.00	1.00	1.00	1.0						
	ΔT	26.21	24.53	21.38	18.1	26.17	24.48	21.34	18.1	26.40	24.72	21.58	18.3	26.15	24.47	21.32	18.1	25.93	24.24	21.10	17.8	26.98	25.30	22.15	18.9						
	kW	1.60	1.60	1.59	1.6	1.80	1.80	1.80	1.8	2.03	2.03	2.02	2.0	2.27	2.27	2.27	2.3	2.54	2.54	2.54	2.6	2.86	2.86	2.86	2.9						
	Amps	6.46	6.45	6.44	6.5	7.39	7.38	7.36	7.4	8.42	8.41	8.40	8.5	9.54	9.53	9.52	9.6	10.79	10.78	10.77	10.8	12.25	12.25	12.23	12.3						
	Hi/PR	272	273	275	279	313	315	316	321	357	358	360	364	404	405	407	411	454	455	457	462	508	509	511	516						
Lo/PR	137	139	142	148	145	147	150	155	152	154	157	162	158	159	163	168	163	165	168	174	170	172	175	181							

IDB = Entering Indoor Dry Bulb Temperature  
 High and low pressures are measured at the liquid and suction access fittings.  
 Design Subcooling, 5-7°F @ the liquid access fitting connection AHRI 95 test conditions. Design Superheat 15-18°F @ the compressor suction access fitting connection.  
 Shaded area reflects AHRI conditions.  
 Amps: Unit amps (comp.+ evaporator + condenser fan motors)  
 KW = Total system power



EXPANDED COOLING DATA — DP3CH3641

		OUTDOOR AMBIENT TEMPERATURE																																							
		75								85								95								105								115							
IDB	AIRFLOW	59	63	67	71	59	63	67	71	59	63	67	71	59	63	67	71	59	63	67	71	59	63	67	71	59	63	67	71	59	63	67	71								
		ENTERING INDOOR WET BULB TEMPERATURE																																							
70	1050	MBh	36.2	36.7	37.8	-	35.9	36.4	37.5	-	34.9	35.5	36.5	-	33.3	33.8	34.9	-	31.3	31.8	32.9	-	29.5	30.0	31.1	-	31.3	31.8	32.9	-	29.5	30.0	31.1	-							
		S/T	0.62	0.54	0.40	-	0.63	0.55	0.41	-	0.65	0.58	0.44	-	0.67	0.60	0.46	-	1.00	0.62	0.48	-	1.00	0.67	0.53	-	1.00	0.62	0.48	-	1.00	0.67	0.53	-							
		ΔT	18.85	17.11	13.85	-	18.80	17.06	13.80	-	19.05	17.30	14.05	-	18.78	17.04	13.79	-	18.55	16.81	13.55	-	19.64	17.90	14.65	-	18.55	16.81	13.55	-	19.64	17.90	14.65	-							
		kW	2.38	2.38	2.37	-	2.68	2.68	2.67	-	3.02	3.01	3.01	-	3.38	3.38	3.37	-	3.78	3.78	3.78	-	4.26	4.26	4.25	-	3.78	3.78	3.78	-	4.26	4.26	4.25	-							
		Amps	9.54	9.53	9.50	-	10.91	10.90	10.88	-	12.44	12.43	12.41	-	14.10	14.09	14.07	-	15.95	15.94	15.92	-	18.13	18.12	18.09	-	15.95	15.94	15.92	-	18.13	18.12	18.09	-							
	Hi PR	274	275	277	-	317	319	321	-	363	364	366	-	412	413	415	-	464	465	467	-	520	522	524	-	464	465	467	-	520	522	524	-								
	Lo PR	121	122	125	-	128	130	133	-	135	136	139	-	140	141	145	-	145	147	150	-	152	153	157	-	145	147	150	-	152	153	157	-								
	MBh	36.7	37.2	38.3	-	36.4	36.9	38.0	-	35.4	35.9	37.0	-	33.8	34.3	35.4	-	31.8	32.3	33.4	-	30.0	30.5	31.6	-	31.8	32.3	33.4	-	30.0	30.5	31.6	-								
	S/T	0.68	0.61	0.47	-	0.69	0.61	0.47	-	0.72	0.64	0.50	-	0.74	0.66	0.52	-	1.00	0.68	0.54	-	1.00	0.77	0.63	-	1.00	0.68	0.54	-	1.00	0.77	0.63	-								
	ΔT	17.80	16.05	12.80	-	17.75	16.01	12.75	-	17.99	16.25	13.00	-	17.73	15.99	12.73	-	17.50	15.76	12.50	-	18.59	16.85	13.59	-	17.50	15.76	12.50	-	18.59	16.85	13.59	-								
kW	2.40	2.39	2.39	-	2.70	2.69	2.69	-	3.03	3.03	3.02	-	3.39	3.39	3.39	-	3.80	3.80	3.79	-	4.27	4.27	4.27	-	3.80	3.80	3.79	-	4.27	4.27	4.27	-									
Amps	9.61	9.60	9.57	-	10.98	10.97	10.95	-	12.51	12.50	12.48	-	14.17	14.16	14.14	-	16.02	16.01	15.99	-	18.20	18.19	18.16	-	16.02	16.01	15.99	-	18.20	18.19	18.16	-									
Hi PR	277	278	280	-	320	321	323	-	365	366	368	-	414	415	417	-	467	468	470	-	523	524	526	-	467	468	470	-	523	524	526	-									
Lo PR	123	124	127	-	130	131	134	-	136	138	141	-	142	143	146	-	147	149	152	-	154	155	158	-	147	149	152	-	154	155	158	-									
MBh	37.3	37.8	38.9	-	36.9	37.5	38.5	-	36.0	36.5	37.6	-	34.4	34.9	36.0	-	32.4	32.9	34.0	-	30.6	31.1	32.2	-	32.4	32.9	34.0	-	30.6	31.1	32.2	-									
S/T	0.72	0.64	0.50	-	0.72	0.65	0.51	-	0.75	0.67	0.53	-	1.00	0.69	0.55	-	1.00	0.71	0.58	-	1.00	0.77	0.63	-	1.00	0.71	0.58	-	1.00	0.77	0.63	-									
ΔT	16.91	15.17	11.91	-	16.86	15.12	11.86	-	17.11	15.36	12.11	-	16.84	15.10	11.85	-	16.61	14.87	11.61	-	17.70	15.96	12.71	-	16.61	14.87	11.61	-	17.70	15.96	12.71	-									
kW	2.41	2.41	2.40	-	2.71	2.71	2.70	-	3.04	3.04	3.04	-	3.41	3.40	3.40	-	3.81	3.81	3.80	-	4.29	4.28	4.28	-	3.81	3.81	3.80	-	4.29	4.28	4.28	-									
Amps	9.67	9.66	9.63	-	11.04	11.03	11.01	-	12.57	12.56	12.54	-	14.23	14.22	14.20	-	16.08	16.07	16.05	-	18.26	18.25	18.22	-	16.08	16.07	16.05	-	18.26	18.25	18.22	-									
Hi PR	279	280	282	-	322	323	325	-	367	369	371	-	416	417	419	-	469	470	472	-	525	526	528	-	469	470	472	-	525	526	528	-									
Lo PR	124	126	129	-	132	133	136	-	138	140	143	-	144	145	148	-	149	151	154	-	156	157	160	-	149	151	154	-	156	157	160	-									
75	1050	MBh	36.2	36.8	37.8	39.5	35.9	36.4	37.5	39.2	35.0	35.5	36.6	38.2	33.3	33.9	34.9	36.6	31.4	31.9	32.9	34.6	29.5	30.1	31.1	32.8	31.4	31.9	32.9	34.6	29.5	30.1	31.1	32.8							
		S/T	0.75	0.68	0.54	0.4	0.76	0.68	0.54	0.4	1.00	0.71	0.57	0.4	1.00	0.73	0.59	0.4	1.00	0.75	0.61	0.5	1.00	0.80	0.66	0.5	1.00	0.75	0.61	0.5	1.00	0.80	0.66	0.5							
		ΔT	22.64	20.94	17.68	14.3	22.64	20.89	17.64	14.3	22.88	21.14	17.88	14.5	22.62	20.87	17.62	14.2	22.38	20.64	17.39	14.0	23.48	21.73	18.48	15.1	22.38	20.64	17.39	14.0	23.48	21.73	18.48	15.1							
		kW	2.38	2.38	2.37	2.4	2.68	2.68	2.67	2.7	3.01	3.01	3.01	3.0	3.38	3.37	3.37	3.4	3.78	3.78	3.77	3.8	4.26	4.26	4.25	4.3	3.78	3.78	3.77	3.8	4.26	4.25	4.25	4.3							
		Amps	9.53	9.52	9.49	9.6	10.90	10.89	10.87	11.0	12.43	12.42	12.40	12.5	14.09	14.08	14.06	14.2	15.94	15.93	15.91	16.0	18.12	18.11	18.08	18.2	15.94	15.93	15.91	16.0	18.12	18.11	18.08	18.2							
	Hi PR	274	276	278	282	318	319	321	326	363	364	366	371	412	413	415	420	465	466	468	472	521	522	524	529	465	466	468	472	521	522	524	529								
	Lo PR	121	122	125	130	128	130	133	138	135	136	139	144	140	141	145	150	145	147	150	155	152	154	157	162	145	147	150	155	152	154	157	162								
	MBh	36.7	37.2	38.3	40.0	36.4	36.9	38.0	39.6	35.4	36.0	37.0	38.7	33.8	34.3	35.4	37.1	31.8	32.3	33.4	35.1	30.0	30.5	31.6	33.3	31.8	32.3	33.4	35.1	30.0	30.5	31.6	33.3								
	S/T	0.82	0.74	0.60	0.5	0.82	0.74	0.60	0.5	1.00	0.77	0.63	0.5	1.00	0.79	0.65	0.5	1.00	0.81	0.67	0.5	1.00	1.00	0.73	0.6	1.00	0.81	0.67	0.5	1.00	1.00	0.73	0.6								
	ΔT	21.63	19.89	16.63	13.3	21.58	19.84	16.58	13.2	21.83	20.08	16.83	13.5	21.56	19.82	16.57	13.2	21.33	19.59	16.33	13.0	22.42	20.68	17.42	14.1	21.33	19.59	16.33	13.0	22.42	20.68	17.42	14.1								
kW	2.39	2.39	2.39	2.4	2.69	2.69	2.69	2.7	3.03	3.03	3.02	3.0	3.39	3.39	3.38	3.4	3.80	3.79	3.79	3.8	4.27	4.27	4.26	4.3	3.80	3.79	3.79	3.8	4.27	4.27	4.26	4.3									
Amps	9.60	9.59	9.56	9.7	10.97	10.96	10.94	11.0	12.50	12.49	12.47	12.6	14.16	14.15	14.13	14.2	16.02	16.00	15.98	16.1	18.19	18.18	18.15	18.3	16.02	16.00	15.98	16.1	18.19	18.18	18.15	18.3									
Hi PR	277	278	280	285	320	321	323	328	365	367	369	373	414	415	417	422	467	468	470	475	523	524	526	531	467	468	470	475	523	524	526	531									
Lo PR	123	124	127	132	130	131	134	140	136	138	141	146	142	143	146	151	147	149	152	157	154	155	158	164	147	149	152	157	154	155	158	164									
MBh	37.3	37.8	38.9	40.5	37.0	37.5	38.6	40.2	36.0	36.5	37.6	39.3	34.4	34.9	36.0	37.6	32.4	32.9	34.0	35.6	30.6	31.1	32.2	33.8	32.4	32.9	34.0	35.6	30.6	31.1	32.2	33.8									
S/T	0.85	0.77	0.63	0.5	0.86	0.78	0.64	0.5	1.00	0.80	0.67	0.5	1.00	0.82	0.69	0.5	1.00	0.85	0.71	0.6	1.00	1.00	0.76	0.6	1.00	0.85	0.71	0.6	1.00	1.00	0.76	0.6									
ΔT	20.74	19.00	15.75	12.4	20.70	18.95	15.70	12.3	20.94	19.20	15.94	12.6	20.68	18.93	15.68	12.3	20.45	18.70	15.45	12.1	21.54	19.79	16.54	13.2	20.45	18.70	15.45	12.1	21.54	19.79	16.54	13.2									
kW	2.41	2.41	2.40	2.4	2.71	2.70	2.70	2.7	3.04	3.04	3.03	3.1	3.40	3.40	3.40	3.4	3.81	3.81	3.80	3.8	4.28	4.28	4.28	4.3	3.81	3.81	3.80	3.8	4.28	4.28	4.28	4.3									
Amps	9.66	9.65	9.62	9.7	11.03	11.02	11.00	11.1	12.56	12.55	12.53	12.6	14.22	14.21	14.19	14.3	16.07	16.06	16.04	16.1	18.25	18.24	18.21	18.3	16.07	16.06	16.04	16.1	18.25	18.24	18.21	18.3									
Hi PR	279	280	282	287	322	324	325	330	368	369	371	376	416	418	420	424	469	470	472	477	525	526	528	533	469	470	472	477	525	526	528	533									
Lo PR	125	126	129	134	132	133	136	142	138	140	143	148	144	145	148	153	149	151	154	159	156	157	160	165																	



IDB	AIRFLOW	OUTDOOR AMBIENT TEMPERATURE												105												115											
		65						75						85						95						105						115					
		59	63	67	71	75	79	59	63	67	71	75	79	59	63	67	71	75	79	59	63	67	71	75	79	59	63	67	71	75	79	59	63	67	71	75	79
80	1050	MBh	36.4	36.9	38.0	39.7	36.1	36.6	37.7	39.3	35.2	35.7	36.8	38.4	33.5	34.0	35.1	36.8	31.5	32.1	33.1	34.8	29.7	30.2	31.3	33.0											
		S/T	0.88	0.80	0.67	0.5	1.00	0.84	0.70	0.6	1.00	0.86	0.72	0.6	1.00	0.86	0.72	0.6	1.00	1.00	1.00	0.74	0.6	1.00	1.00	0.79	0.6										
		ΔT	26.54	24.80	21.54	18.2	26.49	24.75	21.50	18.1	26.74	25.00	21.74	18.4	26.48	24.73	21.48	18.1	26.24	24.50	21.25	17.9	27.34	25.59	22.34	19.0											
		kW	2.38	2.38	2.37	2.4	2.68	2.68	2.67	2.7	3.02	3.01	3.01	3.0	3.38	3.38	3.37	3.4	3.78	3.78	3.78	3.77	3.8	4.26	4.25	4.25	4.3										
		Amps	9.53	9.52	9.50	9.6	10.91	10.90	10.87	11.0	12.44	12.43	12.41	12.5	14.10	14.09	14.06	14.2	15.95	15.94	15.92	16.0	18.12	18.11	18.09	18.2											
		Hi PR	275	276	278	283	318	319	321	326	364	365	367	371	412	414	415	420	465	466	468	473	521	522	524	529											
	Lo PR	121	123	126	131	129	130	133	138	135	137	140	145	141	142	145	150	146	147	150	156	153	154	157	162												
	1200	MBh	36.9	37.4	38.5	40.1	36.6	37.1	38.2	39.8	35.6	36.1	37.2	38.9	34.0	34.5	35.6	37.3	32.0	32.5	33.6	35.3	30.2	30.7	31.8	33.4											
		S/T	1.00	0.87	0.73	0.6	1.00	0.87	0.73	0.6	1.00	0.90	0.76	0.6	1.00	0.92	0.78	0.6	1.00	1.00	1.00	0.80	0.7	1.00	1.00	0.85	0.7										
		ΔT	25.49	23.75	20.49	17.1	25.44	23.70	20.44	17.1	25.69	23.94	20.69	17.3	25.42	23.68	20.43	17.1	25.19	23.45	20.19	16.8	26.28	24.54	21.28	17.9											
		kW	2.40	2.39	2.39	2.4	2.70	2.69	2.69	2.7	3.03	3.03	3.02	3.0	3.39	3.39	3.39	3.4	3.80	3.80	3.80	3.79	3.8	4.27	4.27	4.27	4.3										
		Amps	9.61	9.60	9.57	9.7	10.98	10.97	10.94	11.0	12.51	12.50	12.48	12.6	14.17	14.16	14.14	14.2	16.02	16.01	15.99	16.1	18.20	18.19	18.16	18.3											
Hi PR		277	278	280	285	321	322	324	328	366	367	369	374	415	416	418	423	467	469	470	475	524	525	527	531												
Lo PR	123	125	128	133	130	132	135	140	137	138	141	147	142	144	147	152	148	149	152	157	154	156	159	164													
1350	MBh	37.5	38.0	39.1	40.7	37.2	37.7	38.7	40.4	36.2	36.7	37.8	39.5	34.6	35.1	36.2	37.8	32.6	33.1	34.2	35.8	30.8	31.3	32.4	34.0												
	S/T	1.00	0.90	0.76	0.6	1.00	0.91	0.77	0.6	1.00	0.93	0.79	0.6	1.00	1.00	0.81	0.7	1.00	1.00	1.00	0.84	0.7	1.00	1.00	0.89	0.7											
	ΔT	24.60	22.86	19.60	16.2	24.55	22.81	19.56	16.2	24.80	23.06	19.80	16.4	24.54	22.79	19.54	16.2	24.30	22.56	19.31	15.9	25.40	23.65	20.40	17.0												
	kW	2.41	2.41	2.40	2.4	2.71	2.71	2.70	2.7	3.04	3.04	3.04	3.1	3.41	3.40	3.40	3.4	3.81	3.81	3.80	3.8	4.29	4.28	4.28	4.3												
	Amps	9.67	9.65	9.63	9.7	11.04	11.03	11.00	11.1	12.57	12.56	12.54	12.6	14.23	14.22	14.19	14.3	16.08	16.07	16.05	16.2	18.26	18.24	18.22	18.3												
	Hi PR	280	281	283	287	323	324	326	331	368	369	371	376	417	418	420	425	470	471	473	477	526	527	529	534												
Lo PR	125	127	130	135	132	134	137	142	139	140	143	149	144	146	149	154	150	151	154	159	156	158	161	166													
85	1050	MBh	37.0	37.5	38.6	40.3	36.7	37.2	38.3	40.0	35.8	36.3	37.4	39.0	34.1	34.7	35.7	37.4	32.2	32.7	33.7	35.4	30.3	30.8	31.9	33.6											
		S/T	1.00	0.91	0.77	0.6	1.00	0.92	0.78	0.6	1.00	1.00	0.80	0.7	1.00	1.00	0.82	0.7	1.00	1.00	1.00	0.84	0.7	1.00	1.00	0.8											
		ΔT	29.96	28.22	24.97	21.6	29.92	28.17	24.92	21.5	30.16	28.42	25.16	21.8	29.90	28.16	24.90	21.5	29.67	27.92	24.67	21.3	30.76	29.01	25.76	22.4											
		kW	2.39	2.38	2.38	2.4	2.69	2.68	2.68	2.7	3.02	3.02	3.01	3.0	3.38	3.38	3.38	3.4	3.79	3.79	3.78	3.8	4.26	4.26	4.26	4.3											
		Amps	9.56	9.55	9.53	9.6	10.93	10.92	10.90	11.0	12.47	12.46	12.43	12.5	14.12	14.11	14.09	14.2	15.98	15.97	15.94	16.0	18.15	18.14	18.12	18.2											
		Hi PR	276	277	279	284	320	321	323	327	365	366	368	373	414	415	417	422	466	467	469	474	522	524	526	530											
	Lo PR	123	125	128	133	130	132	135	140	137	138	141	147	142	144	147	152	148	149	152	157	154	156	159	164												
	1200	MBh	37.5	38.0	39.1	40.8	37.2	37.7	38.8	40.4	36.2	36.8	37.8	39.5	34.6	35.1	36.2	37.9	32.6	33.1	34.2	35.9	30.8	31.3	32.4	34.1											
		S/T	1.00	0.97	0.83	0.7	1.00	0.98	0.84	0.7	1.00	1.00	0.86	0.7	1.00	1.00	0.88	0.7	1.00	1.00	1.00	0.91	0.8	1.00	1.00	0.8											
		ΔT	28.91	27.17	23.91	20.5	28.86	27.12	23.87	20.5	29.11	27.37	24.11	20.7	28.85	27.10	23.85	20.5	28.61	26.87	23.62	20.2	29.70	27.96	24.71	21.3											
		kW	2.40	2.40	2.39	2.4	2.70	2.70	2.69	2.7	3.04	3.03	3.03	3.1	3.40	3.40	3.39	3.4	3.80	3.80	3.80	3.8	4.28	4.28	4.27	4.3											
		Amps	9.63	9.62	9.60	9.7	11.01	10.99	10.97	11.1	12.54	12.53	12.50	12.6	14.20	14.18	14.16	14.3	16.05	16.04	16.01	16.1	18.22	18.21	18.19	18.3											
Hi PR		279	280	282	286	322	323	325	330	367	368	370	375	416	417	419	424	469	470	472	477	525	526	528	533												
Lo PR	125	126	129	135	132	134	137	142	139	140	143	148	144	146	149	154	149	151	154	159	156	158	161	166													
1350	MBh	38.1	38.6	39.7	41.3	37.8	38.3	39.4	41.0	36.8	37.3	38.4	40.1	35.2	35.7	36.8	38.4	33.2	33.7	34.8	36.4	31.4	31.9	33.0	34.6												
	S/T	1.00	1.00	0.87	0.7	1.00	1.00	0.87	0.7	1.00	1.00	0.90	0.8	1.00	1.00	0.92	0.8	1.00	1.00	1.00	0.94	0.8	1.00	1.00	0.8												
	ΔT	28.03	26.28	23.03	19.7	27.98	26.23	22.98	19.6	28.22	26.48	23.22	19.9	27.96	26.22	22.96	19.6	27.73	25.98	22.73	19.4	28.82	27.07	23.82	20.4												
	kW	2.41	2.41	2.41	2.4	2.71	2.71	2.71	2.7	3.05	3.05	3.04	3.1	3.41	3.41	3.40	3.4	3.82	3.81	3.81	3.8	4.29	4.29	4.28	4.3												
	Amps	9.69	9.68	9.66	9.8	11.06	11.05	11.03	11.1	12.60	12.59	12.56	12.7	14.26	14.24	14.22	14.3	16.11	16.10	16.07	16.2	18.28	18.27	18.25	18.4												
	Hi PR	281	282	284	289	324	325	327	332	369	371	373	377	418	419	421	426	471	472	474	479	527	528	530	535												
Lo PR	127	128	131	137	134	136	139	144	141	142	145	150	146	148	151	156	151	153	156	161	158	160	163	168													

IDB = Entering Indoor Dry Bulb Temperature  
 High and low pressures are measured at the liquid and suction access fittings.  
 Design Subcooling, 9-12 °F @ the liquid access fitting connection AHRI 95 test conditions. Design Superheat 7-11°F @ the compressor suction access fitting connection.  
 Shaded area reflects AHRI conditions.  
 Amps: Unit amps (comp.+ evaporator + condenser fan motors)  
 KW = Total system power

IDB		OUTDOOR AMBIENT TEMPERATURE												105												115											
		65						75						85						95						105						115					
		AIRFLOW		59	63	67	71	59	63	67	71	59	63	67	71	59	63	67	71	59	63	67	71	59	63	67	71	59	63	67	71	59	63	67	71		
<b>70</b>	<b>1300</b>	MBh	41.2	41.8	43.0	44.2	40.9	41.4	42.7	-	39.8	40.4	41.6	-	38.0	38.5	39.8	-	35.7	36.3	37.5	-	33.7	34.3	35.5	-	33.7	34.3	35.5	-	33.7	34.3	35.5	-			
		S/T	0.68	0.60	0.46	-	0.69	0.61	0.47	-	0.71	0.63	0.49	-	1.00	0.65	0.51	-	1.00	0.68	0.54	-	1.00	0.73	0.59	-	1.00	0.68	0.54	-	1.00	0.73	0.59	-			
		ΔT	18.59	16.77	13.37	-	18.54	16.72	13.32	-	18.80	16.98	13.58	-	18.52	16.70	13.30	-	18.28	16.46	13.06	-	19.42	17.60	14.20	-	19.42	17.60	14.20	-	19.42	17.60	14.20	-			
		kW	2.69	2.69	2.69	-	3.03	3.03	3.02	-	3.41	3.40	3.40	-	3.81	3.81	3.80	-	4.27	4.26	4.26	-	4.80	4.80	4.79	-	4.80	4.80	4.79	-	4.80	4.80	4.79	-			
		Amps	10.91	10.90	10.87	-	12.45	12.44	12.41	-	14.17	14.15	14.13	-	16.03	16.01	15.99	-	18.10	18.09	18.07	-	20.54	20.53	20.50	-	20.54	20.53	20.50	-	20.54	20.53	20.50	-			
		Hi PR	264	265	267	-	305	307	308	-	349	350	352	-	395	396	398	-	446	447	449	-	499	500	502	-	499	500	502	-	499	500	502	-			
	Lo PR	126	128	131	-	134	135	138	-	140	142	145	-	146	148	151	-	151	153	156	-	158	160	163	-	158	160	163	-	158	160	163	-				
	<b>1400</b>	MBh	41.6	42.2	43.4	44.2	41.2	41.8	43.0	-	40.2	40.8	42.0	-	38.4	38.9	40.1	-	36.1	36.7	37.9	-	34.1	34.7	35.9	-	34.1	34.7	35.9	-	34.1	34.7	35.9	-			
		S/T	0.70	0.63	0.49	-	0.71	0.63	0.49	-	0.73	0.66	0.52	-	1.00	0.68	0.54	-	1.00	0.70	0.56	-	1.00	0.75	0.61	-	1.00	0.75	0.61	-	1.00	0.75	0.61	-			
		ΔT	18.00	16.18	12.78	-	17.95	16.13	12.73	-	18.21	16.39	12.99	-	17.94	16.12	12.72	-	17.69	15.87	12.47	-	18.83	17.01	13.61	-	18.83	17.01	13.61	-	18.83	17.01	13.61	-			
		kW	2.70	2.70	2.70	-	3.04	3.04	3.03	-	3.42	3.41	3.41	-	3.82	3.82	3.81	-	4.28	4.27	4.27	-	4.81	4.81	4.80	-	4.81	4.81	4.80	-	4.81	4.81	4.80	-			
		Amps	10.95	10.94	10.91	-	12.49	12.48	12.45	-	14.21	14.20	14.17	-	16.07	16.06	16.03	-	18.15	18.13	18.11	-	20.58	20.57	20.55	-	20.58	20.57	20.55	-	20.58	20.57	20.55	-			
Hi PR		265	267	268	-	307	308	310	-	350	351	353	-	397	398	400	-	447	448	450	-	501	502	504	-	501	502	504	-	501	502	504	-				
Lo PR	127	129	132	-	135	136	140	-	142	143	146	-	147	149	152	-	153	154	157	-	160	161	164	-	160	161	164	-	160	161	164	-					
<b>1575</b>	MBh	42.4	43.0	44.2	-	42.0	42.6	43.8	-	41.0	41.5	42.8	-	39.1	39.7	40.9	-	36.9	37.5	38.7	-	34.9	35.4	36.7	-	34.9	35.4	36.7	-	34.9	35.4	36.7	-				
	S/T	0.72	0.65	0.51	-	0.73	0.65	0.51	-	1.00	0.68	0.54	-	1.00	0.70	0.56	-	1.00	0.72	0.58	-	1.00	1.00	0.63	-	1.00	1.00	0.63	-	1.00	1.00	0.63	-				
	ΔT	17.09	15.27	11.87	-	17.04	15.22	11.82	-	17.29	15.47	12.07	-	17.02	15.20	11.80	-	16.78	14.95	11.55	-	17.92	16.09	12.69	-	17.92	16.09	12.69	-	17.92	16.09	12.69	-				
	kW	2.72	2.72	2.71	-	3.05	3.05	3.05	-	3.43	3.43	3.42	-	3.84	3.83	3.83	-	4.29	4.29	4.28	-	4.82	4.82	4.81	-	4.82	4.82	4.81	-	4.82	4.82	4.81	-				
	Amps	11.02	11.00	10.98	-	12.56	12.54	12.52	-	14.27	14.26	14.24	-	16.13	16.12	16.10	-	18.21	18.20	18.17	-	20.65	20.64	20.61	-	20.65	20.64	20.61	-	20.65	20.64	20.61	-				
	Hi PR	268	269	271	-	309	310	312	-	352	354	355	-	399	400	402	-	449	450	452	-	503	504	506	-	503	504	506	-	503	504	506	-				
Lo PR	130	131	134	-	137	139	142	-	144	145	149	-	150	151	154	-	155	157	160	-	162	163	167	-	162	163	167	-	162	163	167	-					
<b>75</b>	<b>1300</b>	MBh	41.3	41.8	43.0	44.9	40.9	41.5	42.7	44.5	39.8	40.4	41.6	43.5	38.0	38.6	39.8	41.6	35.8	36.3	37.6	39.4	33.7	34.3	35.5	37.4	33.7	34.3	35.5	37.4							
		S/T	0.81	0.73	0.59	0.4	1.00	0.74	0.60	0.5	1.00	0.76	0.63	0.5	1.00	0.78	0.65	0.5	1.00	0.81	0.67	0.5	1.00	1.00	0.72	0.6	1.00	1.00	0.72	0.6							
		ΔT	22.59	20.77	17.37	13.9	22.54	20.72	17.32	13.8	22.80	20.98	17.58	14.1	22.53	20.70	17.30	13.8	22.28	20.46	17.06	13.5	23.42	21.60	18.20	14.7	23.42	21.60	18.20	14.7							
		kW	2.69	2.69	2.68	2.7	3.03	3.03	3.02	3.0	3.40	3.40	3.40	3.4	3.81	3.81	3.80	3.8	4.26	4.26	4.26	4.3	4.80	4.79	4.79	4.8	4.80	4.79	4.79	4.8							
		Amps	10.90	10.89	10.86	11.0	12.44	12.43	12.40	12.5	14.16	14.14	14.12	14.2	16.02	16.00	15.98	16.1	18.09	18.08	18.06	18.2	20.53	20.52	20.49	20.6	20.53	20.52	20.49	20.6							
		Hi PR	264	265	267	271.9	306	307	309	313.2	349	350	352	356.5	396	397	399	403.1	446	447	449	453.3	499	501	502	507.0	499	501	502	507.0							
	Lo PR	126	128	131	136.2	134	135	138	143.8	140	142	145	150.4	146	148	151	156.0	151	153	156	161.5	158	160	163	168.4	158	160	163	168.4								
	<b>1400</b>	MBh	41.6	42.2	43.4	45.3	41.3	41.8	43.1	44.9	40.2	40.8	42.0	43.9	38.4	39.0	40.2	42.0	36.1	36.7	37.9	39.8	34.1	34.7	35.9	37.8	34.1	34.7	35.9	37.8							
		S/T	0.83	0.76	0.62	0.5	1.00	0.76	0.63	0.5	1.00	0.79	0.65	0.5	1.00	0.81	0.67	0.5	1.00	0.83	0.69	0.5	1.00	1.00	0.75	0.6	1.00	1.00	0.75	0.6							
		ΔT	22.01	20.19	16.79	13.3	21.96	20.14	16.74	13.2	22.21	20.39	16.99	13.5	21.94	20.12	16.72	13.2	21.70	19.88	16.48	13.0	22.84	21.02	17.62	14.1	22.84	21.02	17.62	14.1							
		kW	2.70	2.70	2.69	2.7	3.04	3.04	3.03	3.1	3.41	3.41	3.41	3.4	3.82	3.82	3.81	3.8	4.27	4.27	4.27	4.3	4.81	4.80	4.80	4.8	4.81	4.80	4.80	4.8							
		Amps	10.94	10.93	10.90	11.0	12.48	12.47	12.44	12.6	14.20	14.19	14.16	14.3	16.06	16.05	16.02	16.1	18.14	18.12	18.10	18.2	20.57	20.56	20.54	20.7	20.57	20.56	20.54	20.7							
Hi PR		266	267	269	273.2	307	308	310	314.5	350	351	353	357.8	397	398	400	404.4	447	448	450	454.7	501	502	504	508.3	501	502	504	508.3								
Lo PR	127	129	132	137.4	135	137	140	145.0	142	143	146	151.6	147	149	152	157.2	153	154	157	162.7	160	161	164	169.6	160	161	164	169.6									
<b>1575</b>	MBh	42.4	43.0	44.2	46.1	42.1	42.6	43.8	45.7	41.0	41.6	42.8	44.6	39.2	39.7	40.9	42.8	36.9	37.5	38.7	40.6	34.9	35.5	36.7	38.5	34.9	35.5	36.7	38.5								
	S/T	0.86	0.78	0.64	0.5	1.00	0.78	0.65	0.5	1.00	0.81	0.67	0.5	1.00	0.83	0.69	0.5	1.00	1.00	0.71	0.6	1.00	1.00	0.77	0.6	1.00	1.00	0.77	0.6								
	ΔT	21.09	19.27	15.87	12.3	21.04	19.22	15.82	12.3	21.30	19.48	16.08	12.6	21.02	19.20	15.80	12.3	20.78	18.96	15.56	12.0	21.92	20.10	16.70	13.2	21.92	20.10	16.70	13.2								
	kW	2.72	2.71	2.71	2.7	3.05	3.05	3.04	3.1	3.43	3.43	3.42	3.4	3.83	3.83	3.83	3.9	4.29	4.29	4.28	4.3	4.82	4.82	4.81	4.8	4.82	4.82	4.81	4.8								
	Amps	11.01	10.99	10.97	11.1	12.55	12.53	12.51	12.6	14.26	14.25	14.23	14.3	16.12	16.11	16.09	16.2	18.20	18.19	18.16	18.3	20.64	20.63	20.60	20.7	20.64	20.63	20.60	20.7								
	Hi PR	268	269	271	275.5	309	310	312	316.9	353	354	356	360.1	399	400	402	406.8	449	451	452	457.0	503	504	506	510.7	503	504	506	510.7								
Lo PR	130	131	134	139.8	137	139	142	147.4	144	146	149	154.0	150	151	154	159.6	155	157	160	165.1	162	163	167	172.0	162	163	167	172.0									

IDB = Entering Indoor Dry Bulb Temperature  
 High and low pressures are measured at the liquid and suction access fittings.  
 Design Subcooling, 8-12 °F @ the liquid access fitting connection AHR1 95 test conditions. Design Superheat 8-12°F @ the compressor suction access fitting connection.  
 Shaded area reflects AHR1 (TVA) conditions.  
 Amps: Unit amps (comp.+ evaporator + condenser fan motors)  
 kW = Total system power

IDB	AIRFLOW	OUTDOOR AMBIENT TEMPERATURE												105												115																									
		65						75						85						95						105						115																			
		59	63	67	71	75	79	59	63	67	71	75	79	59	63	67	71	75	79	59	63	67	71	75	79	59	63	67	71	75	79	59	63	67	71	75	79														
ENTERING INDOOR WET BULB TEMPERATURE																																																			
80	1300	MBh	41.5	42.0	43.3	45.1	41.1	41.7	42.9	44.7	40.0	40.6	41.8	43.7	38.2	38.8	40.0	41.9	36.0	36.5	37.8	39.6	33.9	34.5	35.7	37.6	36.0	36.5	37.8	39.6	33.9	34.5	35.7	37.6	36.0	36.5	37.8	39.6	33.9	34.5	35.7	37.6	36.0	36.5	37.8	39.6	33.9	34.5	35.7	37.6	
		S/T	1.00	0.86	0.72	0.6	1.00	0.87	0.73	0.6	1.00	0.89	0.75	0.6	1.00	1.00	0.77	0.6	1.00	1.00	1.00	0.80	0.7	1.00	1.00	0.85	0.7	1.00	1.00	0.80	0.7	1.00	1.00	0.85	0.7	1.00	1.00	0.80	0.7	1.00	1.00	0.85	0.7	1.00	1.00	0.80	0.7	1.00	1.00	0.85	0.7
		ΔT	26.62	24.80	21.40	17.9	26.58	24.75	21.35	17.8	26.83	25.01	21.61	18.1	26.56	24.74	21.34	17.8	26.31	24.49	21.09	17.6	27.45	25.63	22.23	18.7	26.31	24.49	21.09	17.6	27.45	25.63	22.23	18.7	26.31	24.49	21.09	17.6	27.45	25.63	22.23	18.7	26.31	24.49	21.09	17.6	27.45	25.63	22.23	18.7	
		kW	2.69	2.69	2.69	2.7	3.03	3.03	3.02	3.0	3.41	3.40	3.40	3.4	3.81	3.81	3.80	3.8	4.27	4.26	4.26	4.3	4.80	4.80	4.79	4.8	4.27	4.26	4.26	4.3	4.80	4.80	4.79	4.8	4.27	4.26	4.26	4.3	4.80	4.80	4.79	4.8	4.27	4.26	4.26	4.3	4.80	4.80	4.79	4.8	
		Amps	10.91	10.89	10.87	11.0	12.45	12.43	12.41	12.5	14.16	14.15	14.13	14.2	16.02	16.01	15.99	16.1	18.10	18.09	18.06	18.2	20.54	20.53	20.50	20.6	18.10	18.09	18.06	18.2	20.54	20.53	20.50	20.6	18.10	18.09	18.06	18.2	20.54	20.53	20.50	20.6	18.10	18.09	18.06	18.2	20.54	20.53	20.50	20.6	
		Hi PR	265	266	268	272	306	307	309	314	349	351	352	357	396	397	399	404	446	447	449	454	500	501	503	507	396	397	399	404	446	447	449	454	396	397	399	404	446	447	449	454	396	397	399	404	446	447	449	454	
	Lo PR	127	128	131	137	134	136	139	144	141	142	146	151	147	148	151	157	152	154	157	162	159	160	164	169	147	148	151	157	152	154	157	162	147	148	151	157	152	154	157	162	147	148	151	157	152	154	157	162		
	1400	MBh	41.8	42.4	43.6	45.5	41.5	42.1	43.3	45.1	40.4	41.0	42.2	44.1	38.6	39.2	40.4	42.2	36.4	36.9	38.1	40.0	34.3	34.9	36.1	38.0	36.4	36.9	38.1	40.0	34.3	34.9	36.1	38.0	36.4	36.9	38.1	40.0	34.3	34.9	36.1	38.0	36.4	36.9	38.1	40.0	34.3	34.9	36.1	38.0	
		S/T	1.00	0.88	0.75	0.6	1.00	0.89	0.75	0.6	1.00	0.92	0.78	0.6	1.00	1.00	0.80	0.7	1.00	1.00	0.82	0.7	1.00	1.00	0.87	0.7	1.00	1.00	0.82	0.7	1.00	1.00	0.87	0.7	1.00	1.00	0.82	0.7	1.00	1.00	0.87	0.7	1.00	1.00	0.82	0.7	1.00	1.00	0.87	0.7	
		ΔT	26.04	24.22	20.82	17.3	25.99	24.17	20.77	17.2	26.25	24.42	21.02	17.5	25.97	24.15	20.75	17.2	25.73	23.91	20.51	17.0	26.87	25.05	21.65	18.1	25.73	23.91	20.51	17.0	26.87	25.05	21.65	18.1	25.73	23.91	20.51	17.0	26.87	25.05	21.65	18.1	25.73	23.91	20.51	17.0	26.87	25.05	21.65	18.1	
		kW	2.70	2.70	2.69	2.7	3.04	3.04	3.03	3.1	3.42	3.41	3.41	3.4	3.82	3.82	3.81	3.8	4.28	4.27	4.27	4.3	4.81	4.81	4.80	4.8	4.28	4.27	4.27	4.3	4.81	4.81	4.80	4.8	4.28	4.27	4.27	4.3	4.81	4.81	4.80	4.8	4.28	4.27	4.27	4.3	4.81	4.81	4.80	4.8	
		Amps	10.95	10.94	10.91	11.0	12.49	12.48	12.45	12.6	14.21	14.19	14.17	14.3	16.07	16.05	16.03	16.1	18.14	18.13	18.11	18.2	20.58	20.57	20.54	20.7	18.14	18.13	18.11	18.2	20.58	20.57	20.54	20.7	18.14	18.13	18.11	18.2	20.58	20.57	20.54	20.7	18.14	18.13	18.11	18.2	20.58	20.57	20.54	20.7	
Hi PR		266	267	269	274	307	309	310	315	351	352	354	358	397	398	400	405	448	449	451	455	501	502	504	509	397	398	400	405	448	449	451	455	397	398	400	405	448	449	451	455	397	398	400	405	448	449	451	455		
Lo PR	128	130	133	138	136	137	140	146	142	144	147	152	148	149	152	158	153	155	158	163	160	162	164	169	148	149	152	158	153	155	158	163	148	149	152	158	153	155	158	163	148	149	152	158	153	155	158	163			
1575	MBh	42.6	43.2	44.4	46.3	42.3	42.8	44.1	45.9	41.2	41.8	43.0	44.8	39.4	39.9	41.2	43.0	37.1	37.7	38.9	40.8	35.1	35.7	36.9	38.7	37.1	37.7	38.9	40.8	35.1	35.7	36.9	38.7	37.1	37.7	38.9	40.8	35.1	35.7	36.9	38.7	37.1	37.7	38.9	40.8	35.1	35.7	36.9	38.7		
	S/T	1.00	0.91	0.77	0.6	1.00	0.91	0.77	0.6	1.00	1.00	0.80	0.7	1.00	1.00	0.82	0.7	1.00	1.00	0.84	0.7	1.00	1.00	0.87	0.7	1.00	1.00	0.84	0.7	1.00	1.00	0.87	0.7	1.00	1.00	0.84	0.7	1.00	1.00	0.87	0.7	1.00	1.00	0.84	0.7	1.00	1.00	0.87	0.7		
	ΔT	25.12	23.30	19.90	16.4	25.07	23.25	19.85	16.3	25.33	23.51	20.11	16.6	25.05	23.23	19.83	16.3	24.81	22.99	19.59	16.1	25.95	24.13	20.73	17.2	24.81	22.99	19.59	16.1	25.95	24.13	20.73	17.2	24.81	22.99	19.59	16.1	25.95	24.13	20.73	17.2	24.81	22.99	19.59	16.1	25.95	24.13	20.73	17.2		
	kW	2.72	2.72	2.71	2.7	3.05	3.05	3.05	3.1	3.43	3.43	3.42	3.4	3.84	3.83	3.83	3.9	4.29	4.29	4.28	4.3	4.82	4.82	4.81	4.8	4.29	4.29	4.28	4.3	4.82	4.82	4.81	4.8	4.29	4.29	4.28	4.3	4.82	4.82	4.81	4.8	4.29	4.29	4.28	4.3	4.82	4.82	4.81	4.8		
	Amps	11.01	11.00	10.98	11.1	12.55	12.54	12.52	12.6	14.27	14.26	14.23	14.4	16.13	16.12	16.09	16.2	18.21	18.20	18.17	18.3	20.65	20.64	20.61	20.7	18.21	18.20	18.17	18.3	20.65	20.64	20.61	20.7	18.21	18.20	18.17	18.3	20.65	20.64	20.61	20.7	18.21	18.20	18.17	18.3	20.65	20.64	20.61	20.7		
	Hi PR	268	270	271	276	310	311	313	317	353	354	356	361	400	401	403	407	450	451	453	458	504	505	507	511	400	401	403	407	450	451	453	458	400	401	403	407	450	451	453	458	400	401	403	407	450	451	453	458		
Lo PR	130	132	135	140	138	139	143	148	145	146	149	155	150	152	155	160	156	157	160	166	163	164	167	173	150	152	155	160	156	157	160	166	150	152	155	160	156	157	160	166	150	152	155	160	156	157	160	166			
85	1300	MBh	42.2	42.7	43.9	45.8	41.8	42.4	43.6	45.4	40.7	41.3	42.5	44.4	38.9	39.5	40.7	42.5	36.7	37.2	38.5	40.3	34.6	35.2	36.4	38.3	36.7	37.2	38.5	40.3	34.6	35.2	36.4	38.3	36.7	37.2	38.5	40.3	34.6	35.2	36.4	38.3	36.7	37.2	38.5	40.3	34.6	35.2	36.4	38.3	
		S/T	1.00	0.96	0.83	0.7	1.00	1.00	0.83	0.7	1.00	1.00	0.86	0.7	1.00	1.00	0.88	0.7	1.00	1.00	0.87	0.7	1.00	1.00	0.87	0.8	1.00	1.00	0.87	0.7	1.00	1.00	0.87	0.8	1.00	1.00	0.87	0.7	1.00	1.00	0.87	0.8	1.00	1.00	0.87	0.7	1.00	1.00	0.87	0.8	
		ΔT	30.20	28.38	24.98	21.5	30.15	28.33	24.93	21.4	30.41	28.59	25.19	21.7	30.13	28.31	24.91	21.4	29.89	28.07	24.67	21.1	31.03	29.21	25.81	22.3	29.89	28.07	24.67	21.1	31.03	29.21	25.81	22.3	29.89	28.07	24.67	21.1	31.03	29.21	25.81	22.3	29.89	28.07	24.67	21.1	31.03	29.21	25.81	22.3	
		kW	2.70	2.70	2.69	2.7	3.04	3.03	3.03	3.1	3.41	3.41	3.40	3.4	3.82	3.82	3.81	3.8	4.27	4.27	4.26	4.3	4.81	4.80	4.80	4.8	4.27	4.27	4.26	4.3	4.81	4.80	4.80	4.8	4.27	4.27	4.26	4.3	4.81	4.80	4.80	4.8	4.27	4.27	4.26	4.3	4.81	4.80	4.80	4.8	
		Amps	10.94	10.92	10.90	11.0	12.48	12.46	12.44	12.6	14.19	14.18	14.16	14.3	16.05	16.04	16.02	16.1	18.13	18.12	18.09	18.2	20.57	20.56	20.53	20.6	18.13	18.12	18.09	18.2	20.57	20.56	20.53	20.6	18.13	18.12	18.09	18.2	20.57	20.56	20.53	20.6	18.13	18.12	18.09	18.2	20.57	20.56	20.53	20.6	
		Hi PR	266	267	269	274	307	308	310	315	351	352	354	358	397</																																				

IDB	AIRFLOW	OUTDOOR AMBIENT TEMPERATURE												ENTERING INDOOR WET BULB TEMPERATURE												
		65				75				85				95				105				115				
		59	63	67	71	59	63	67	71	59	63	67	71	59	63	67	71	59	63	67	71	59	63	67	71	
70	1400	MBh	46.8	47.5	48.9	-	46.4	47.0	48.4	-	45.2	45.8	47.2	-	43.1	43.7	45.1	-	40.5	41.1	42.5	-	38.1	38.8	40.2	-
		S/T	0.64	0.56	0.41	-	0.64	0.56	0.42	-	0.67	0.59	0.45	-	1.00	0.61	0.47	-	1.00	0.63	0.49	-	1.00	0.69	0.54	-
		ΔT	19.09	17.32	14.03	-	19.04	17.28	13.98	-	19.29	17.52	14.23	-	19.02	17.26	13.96	-	18.79	17.02	13.73	-	19.89	18.13	14.83	-
		kW	3.10	3.10	3.09	-	3.48	3.48	3.47	-	3.91	3.90	3.90	-	4.36	4.36	4.35	-	4.88	4.87	4.87	-	5.48	5.48	5.47	-
		Amps	12.04	12.03	12.00	-	13.78	13.77	13.74	-	15.72	15.71	15.68	-	17.82	17.81	17.78	-	20.17	20.16	20.13	-	22.92	22.91	22.88	-
		Hi PR	280	281	283	-	324	325	327	-	370	371	373	-	420	421	423	-	474	475	477	-	531	532	534	-
	Lo PR	125	127	130	-	133	134	137	-	139	141	144	-	145	147	150	-	151	152	155	-	157	159	162	-	
	1600	MBh	47.4	48.1	49.5	-	47.0	47.7	49.1	-	45.8	46.4	47.8	-	43.7	44.3	45.7	-	41.1	41.8	43.2	-	38.8	39.4	40.8	-
		S/T	0.70	0.62	0.48	-	0.70	0.62	0.48	-	0.73	0.65	0.51	-	1.00	0.67	0.53	-	1.00	0.69	0.55	-	1.00	0.78	0.64	-
		ΔT	18.02	16.26	12.96	-	17.97	16.21	12.91	-	18.22	16.46	13.16	-	17.96	16.19	12.89	-	17.72	15.96	12.66	-	18.83	17.06	13.76	-
		kW	3.12	3.12	3.11	-	3.50	3.50	3.49	-	3.92	3.92	3.92	-	4.38	4.38	4.37	-	4.90	4.89	4.89	-	5.50	5.50	5.49	-
		Amps	12.13	12.12	12.09	-	13.87	13.86	13.83	-	15.81	15.80	15.77	-	17.91	17.90	17.87	-	20.26	20.25	20.22	-	23.01	23.00	22.97	-
Hi PR		282	283	285	-	326	327	329	-	372	374	376	-	422	423	425	-	476	477	479	-	533	534	536	-	
Lo PR	127	128	132	-	135	136	139	-	141	143	146	-	147	148	152	-	152	154	157	-	159	161	164	-		
1800	MBh	48.2	48.8	50.2	-	47.7	48.4	49.8	-	46.5	47.2	48.6	-	44.4	45.1	46.5	-	41.8	42.5	43.9	-	39.5	40.2	41.6	-	
	S/T	0.73	0.65	0.51	-	0.74	0.66	0.52	-	1.00	0.69	0.54	-	1.00	0.71	0.56	-	1.00	0.73	0.59	-	1.00	0.78	0.64	-	
	ΔT	17.13	15.36	12.06	-	17.08	15.31	12.02	-	17.32	15.56	12.26	-	17.06	15.29	12.00	-	16.82	15.06	11.76	-	17.93	16.16	12.87	-	
	kW	3.14	3.13	3.13	-	3.52	3.51	3.51	-	3.94	3.94	3.93	-	4.40	4.40	4.39	-	4.91	4.91	4.90	-	5.51	5.51	5.51	-	
	Amps	12.21	12.19	12.16	-	13.95	13.93	13.90	-	15.89	15.87	15.84	-	17.99	17.97	17.94	-	20.33	20.32	20.29	-	23.09	23.07	23.04	-	
	Hi PR	284	286	288	-	329	330	332	-	375	376	378	-	425	426	428	-	478	479	481	-	536	537	539	-	
Lo PR	129	131	134	-	137	138	141	-	143	145	148	-	149	150	154	-	154	156	159	-	161	163	166	-		
75	1400	MBh	46.8	47.5	48.9	51.0	46.4	47.1	48.5	50.6	45.2	45.8	47.2	49.4	43.1	43.7	45.1	47.3	40.5	41.2	42.6	44.7	38.2	38.8	40.2	42.4
		S/T	0.77	0.69	0.55	0.5	0.78	0.70	0.56	0.4	1.00	0.72	0.58	0.4	1.00	0.74	0.60	0.5	1.00	0.77	0.63	0.5	1.00	1.00	0.68	0.5
		ΔT	22.92	21.21	17.91	14.5	22.92	21.16	17.86	14.4	23.17	21.41	18.11	14.7	22.90	21.14	17.84	14.4	22.90	20.90	17.61	14.2	23.77	22.01	18.71	15.3
		kW	3.10	3.10	3.09	3.1	3.48	3.48	3.47	3.5	3.90	3.90	3.89	3.9	4.36	4.36	4.35	4.4	4.87	4.87	4.86	4.9	5.48	5.47	5.47	5.5
		Amps	12.03	12.02	11.99	12.1	13.77	13.76	13.73	13.9	15.71	15.70	15.67	15.8	17.81	17.80	17.77	17.9	20.16	20.14	20.11	20.2	22.91	22.90	22.87	23.0
		Hi PR	280	281	283	288.0	324	325	327	332.1	370	372	374	378.4	420	421	423	428.2	474	475	477	481.8	531	532	534	539.1
	Lo PR	125	127	130	135.2	133	134	137	142.8	139	141	144	149.5	145	147	150	155.1	151	152	155	160.6	157	159	162	167.6	
	1600	MBh	47.4	48.1	49.5	51.6	47.0	47.7	49.1	51.2	45.8	46.5	47.9	50.0	43.7	44.4	45.8	47.9	41.1	41.8	43.2	45.3	38.8	39.4	40.8	43.0
		S/T	0.83	0.75	0.61	0.5	1.00	0.76	0.62	0.5	1.00	0.79	0.64	0.5	1.00	0.81	0.66	0.5	1.00	0.83	0.69	0.5	1.00	1.00	0.74	0.6
		ΔT	21.90	20.14	16.84	13.4	21.86	20.09	16.79	13.4	22.10	20.34	17.04	13.6	21.84	20.07	16.78	13.4	21.60	19.84	16.54	13.1	22.71	20.94	17.65	14.2
		kW	3.12	3.12	3.11	3.1	3.50	3.50	3.49	3.5	3.92	3.92	3.91	3.9	4.38	4.38	4.37	4.4	4.89	4.89	4.88	4.9	5.50	5.49	5.49	5.5
		Amps	12.12	12.11	12.08	12.2	13.86	13.85	13.82	13.9	15.80	15.79	15.76	15.9	17.90	17.89	17.86	18.0	20.25	20.23	20.20	20.3	23.00	22.99	22.96	23.1
Hi PR		282	284	286	290.4	326	328	330	334.5	373	374	376	380.8	422	424	426	430.5	476	477	479	484.2	533	535	537	541.5	
Lo PR	127	129	132	137.0	135	136	139	144.6	141	143	146	151.3	147	148	152	156.9	152	154	157	162.5	159	161	164	169.4		
1800	MBh	48.2	48.8	50.2	52.4	47.8	48.4	49.8	52.0	46.5	47.2	48.6	50.7	44.4	45.1	46.5	48.6	41.9	42.5	43.9	46.1	39.5	40.2	41.6	43.7	
	S/T	0.87	0.79	0.65	0.5	1.00	0.80	0.65	0.5	1.00	0.82	0.68	0.5	1.00	0.84	0.70	0.6	1.00	1.00	0.72	0.6	1.00	1.00	0.78	0.6	
	ΔT	21.01	19.24	15.94	12.5	20.96	19.19	15.90	12.5	21.21	19.44	16.14	12.7	20.94	19.17	15.88	12.5	20.70	18.94	15.64	12.2	21.81	20.04	16.75	13.3	
	kW	3.13	3.13	3.13	3.2	3.51	3.51	3.51	3.5	3.94	3.94	3.93	4.0	4.40	4.39	4.39	4.4	4.91	4.91	4.91	4.90	5.51	5.51	5.50	5.5	
	Amps	12.20	12.18	12.15	12.3	13.94	13.92	13.89	14.0	15.88	15.86	15.83	16.0	17.98	17.96	17.93	18.1	20.32	20.31	20.28	20.4	23.08	23.06	23.03	23.2	
	Hi PR	285	286	288	292.7	329	330	332	336.8	375	376	378	383.1	425	426	428	432.8	478	480	482	486.5	536	537	539	543.8	
Lo PR	129	131	134	139.1	137	138	141	146.7	143	145	148	153.3	149	150	154	159.0	154	156	159	164.5	161	163	166	171.4		

IDB = Entering Indoor Dry Bulb Temperature  
 High and low pressures are measured at the liquid and suction access fittings.  
 Design Subcooling, 8-12 °F @ the liquid access fitting connection AHR1 95 test conditions. Design Superheat 8-12°F @ the compressor suction access fitting connection.  
 Shaded area reflects AHR1 (TVA) conditions.  
 Amps: Unit amps (comp.+ evaporator + condenser fan motors)  
 kW = Total system power

IDB	AIRFLOW	OUTDOOR AMBIENT TEMPERATURE												105												115																								
		65						75						85						95						105						115																		
		59	63	67	71	75	79	59	63	67	71	75	79	59	63	67	71	75	79	59	63	67	71	75	79	59	63	67	71	75	79	59	63	67	71	75	79													
ENTERING INDOOR WET BULB TEMPERATURE																																																		
80	1400	MBh	47.1	47.7	49.1	51.3	46.7	47.3	48.7	50.8	45.4	46.1	47.5	49.6	43.3	44.0	45.4	47.5	40.8	41.4	42.8	45.0	38.4	39.1	40.5	42.6	47.1	47.7	49.1	51.3	46.7	47.3	48.7	50.8	45.4	46.1	47.5	49.6	43.3	44.0	45.4	47.5	40.8	41.4	42.8	45.0	38.4	39.1	40.5	42.6
		S/T	1.00	0.82	0.68	0.5	1.00	0.83	0.69	0.5	1.00	0.86	0.71	0.6	1.00	1.00	0.73	0.6	1.00	1.00	0.76	0.6	1.00	1.00	0.81	0.7	1.00	0.82	0.68	0.5	1.00	0.83	0.69	0.5	1.00	1.00	0.73	0.6	1.00	1.00	0.76	0.6	1.00	1.00	0.81	0.7				
	ΔT	26.88	25.11	21.82	18.4	26.83	25.07	21.77	18.4	27.08	25.31	22.02	18.6	26.81	25.05	21.75	18.3	26.58	24.81	21.52	18.1	27.68	25.92	22.62	19.2	26.88	25.11	21.82	18.4	26.83	25.07	21.77	18.4	27.08	25.31	22.02	18.6	26.81	25.05	21.75	18.3	26.58	24.81	21.52	18.1	27.68	25.92	22.62	19.2	
	kW	3.10	3.10	3.09	3.1	3.48	3.48	3.47	3.5	3.90	3.90	3.90	3.9	4.36	4.36	4.35	4.4	4.88	4.87	4.87	4.9	5.48	5.48	5.47	5.5	3.10	3.10	3.09	3.1	3.48	3.48	3.47	3.5	3.90	3.90	3.90	3.9	4.36	4.36	4.35	4.4	4.88	4.87	4.87	4.9	5.48	5.48	5.47	5.5	
	Amps	12.04	12.03	12.00	12.1	13.78	13.77	13.74	13.9	15.72	15.71	15.68	15.8	17.82	17.81	17.78	17.9	20.17	20.15	20.12	20.3	22.92	22.91	22.88	23.0	12.04	12.03	12.00	12.1	13.78	13.77	13.74	13.9	15.72	15.71	15.68	15.8	17.82	17.81	17.78	17.9	20.17	20.15	20.12	20.3	22.92	22.91	22.88	23.0	
	Hi PR	280	282	284	288.5	325	326	328	332.7	371	372	374	378.9	421	422	424	428.7	474	476	477	482.4	532	533	535	539.7	280	282	284	288.5	325	326	328	332.7	371	372	374	378.9	421	422	424	428.7	474	476	477	482.4	532	533	535	539.7	
	Lo PR	126	127	130	135.7	133	135	138	143.3	140	141	145	150.0	146	147	150	155.6	151	153	156	161.2	158	160	163	168.1	126	127	130	135.7	133	135	138	143.3	140	141	145	150.0	146	147	150	155.6	151	153	156	161.2	158	160	163	168.1	
	1600	MBh	47.7	48.3	49.7	51.9	47.3	47.9	49.3	51.5	46.0	46.7	48.1	50.2	43.9	44.6	46.0	48.1	41.4	42.0	43.4	45.6	39.0	39.7	41.1	43.2	47.7	48.3	49.7	51.9	47.3	47.9	49.3	51.5	46.0	46.7	48.1	50.2	43.9	44.6	46.0	48.1	41.4	42.0	43.4	45.6	39.0	39.7	41.1	43.2
		S/T	1.00	0.89	0.74	0.6	1.00	0.89	0.75	0.6	1.00	0.92	0.78	0.6	1.00	1.00	0.83	0.7	1.00	1.00	0.82	0.7	1.00	1.00	0.87	0.7	1.00	0.89	0.74	0.6	1.00	0.89	0.75	0.6	1.00	1.00	0.83	0.7	1.00	1.00	0.82	0.7	1.00	1.00	0.87	0.7				
	1800	ΔT	25.81	24.05	20.75	17.3	25.76	24.00	20.70	17.3	26.01	24.25	20.95	17.5	25.75	23.98	20.68	17.3	25.51	23.74	20.45	17.0	26.62	24.85	21.55	18.1	25.81	24.05	20.75	17.3	25.76	24.00	20.70	17.3	26.01	24.25	20.95	17.5	25.75	23.98	20.68	17.3	25.51	23.74	20.45	17.0	26.62	24.85	21.55	18.1
kW		3.12	3.12	3.11	3.1	3.50	3.50	3.49	3.5	3.92	3.92	3.91	3.9	4.38	4.38	4.37	4.4	4.90	4.89	4.89	4.9	5.50	5.49	5.49	5.5	3.12	3.12	3.11	3.1	3.50	3.50	3.49	3.5	3.92	3.92	3.91	3.9	4.38	4.38	4.37	4.4	4.90	4.89	4.89	4.9	5.50	5.49	5.49	5.5	
85	1400	Amps	12.13	12.12	12.09	12.2	13.87	13.86	13.83	14.0	15.81	15.80	15.77	15.9	17.91	17.90	17.87	18.0	20.26	20.24	20.21	20.3	23.01	23.00	22.97	23.1	12.13	12.12	12.09	12.2	13.87	13.86	13.83	14.0	15.81	15.80	15.77	15.9	17.91	17.90	17.87	18.0	20.26	20.24	20.21	20.3	23.01	23.00	22.97	23.1
		Hi PR	283	284	286	290.9	327	328	330	335.0	373	374	376	381.3	423	424	426	431.1	477	478	480	484.7	534	535	537	542.0	283	284	286	290.9	327	328	330	335.0	373	374	376	381.3	423	424	426	431.1	477	478	480	484.7	534	535	537	542.0
1600	MBh	48.4	49.1	50.5	52.6	48.0	48.7	50.1	52.2	46.8	47.4	48.8	51.0	44.7	45.3	46.7	48.9	42.1	42.8	44.2	46.3	39.8	40.4	41.8	44.0	48.4	49.1	50.5	52.6	48.0	48.7	50.1	52.2	46.8	47.4	48.8	51.0	44.7	45.3	46.7	48.9	42.1	42.8	44.2	46.3	39.8	40.4	41.8	44.0	
	S/T	1.00	0.92	0.78	0.6	1.00	0.93	0.79	0.6	1.00	1.00	0.81	0.7	1.00	1.00	0.83	0.7	1.00	1.00	0.85	0.7	1.00	1.00	0.91	0.8	1.00	0.92	0.78	0.6	1.00	0.93	0.79	0.6	1.00	1.00	0.81	0.7	1.00	1.00	0.83	0.7	1.00	1.00	0.91	0.8					
1800	ΔT	24.91	23.15	19.85	16.4	24.87	23.10	19.80	16.4	25.11	23.35	20.05	16.6	24.85	23.08	19.79	16.4	24.61	22.85	19.55	16.1	25.72	23.95	20.66	17.2	24.91	23.15	19.85	16.4	24.87	23.10	19.80	16.4	25.11	23.35	20.05	16.6	24.85	23.08	19.79	16.4	24.61	22.85	19.55	16.1	25.72	23.95	20.66	17.2	
	kW	3.14	3.13	3.13	3.2	3.52	3.51	3.51	3.5	3.94	3.94	3.93	4.0	4.40	4.40	4.39	4.4	4.91	4.91	4.90	4.9	5.51	5.51	5.50	5.5	3.14	3.13	3.13	3.2	3.52	3.51	3.51	3.5	3.94	3.94	3.93	4.0	4.40	4.40	4.39	4.4	4.91	4.91	4.90	4.9	5.51	5.51	5.50	5.5	
85	1400	Amps	12.21	12.19	12.16	12.3	13.94	13.93	13.90	14.0	15.89	15.87	15.84	16.0	17.99	17.97	17.94	18.1	20.33	20.32	20.29	20.4	23.09	23.07	23.04	23.2	12.21	12.19	12.16	12.3	13.94	13.93	13.90	14.0	15.89	15.87	15.84	16.0	17.99	17.97	17.94	18.1	20.33	20.32	20.29	20.4	23.09	23.07	23.04	23.2
		Hi PR	285	286	288	293.2	329	330	332	337.3	376	377	379	383.6	425	427	428	433.4	479	480	482	487.0	536	537	539	544.3	285	286	288	293.2	329	330	332	337.3	376	377	379	383.6	425	427	428	433.4	479	480	482	487.0	536	537	539	544.3
1600	MBh	47.9	48.5	49.9	52.1	47.4	48.1	49.5	51.6	46.2	46.9	48.3	50.4	44.1	44.8	46.2	48.3	41.5	42.2	43.6	45.7	39.2	39.9	41.3	43.4	47.9	48.5	49.9	52.1	47.4	48.1	49.5	51.6	46.2	46.9	48.3	50.4	44.1	44.8	46.2	48.3	41.5	42.2	43.6	45.7	39.2	39.9	41.3	43.4	
	S/T	1.00	0.93	0.79	0.6	1.00	1.00	0.86	0.7	1.00	1.00	0.82	0.7	1.00	1.00	0.84	0.7	1.00	1.00	0.86	0.7	1.00	1.00	0.90	0.8	1.00	0.93	0.79	0.6	1.00	1.00	0.86	0.7	1.00	1.00	0.82	0.7	1.00	1.00	0.84	0.7	1.00	1.00	0.90	0.8					
1800	ΔT	29.28	27.51	24.22	20.8	29.23	27.46	24.17	20.8	29.48	27.71	24.42	21.0	29.21	27.45	24.15	20.7	28.98	27.21	23.91	20.5	30.08	28.32	25.02	21.6	29.28	27.51	24.22	20.8	29.23	27.46	24.17	20.8	29.48	27.71	24.42	21.0	29.21	27.45	24.15	20.7	28.98	27.21	23.91	20.5	30.08	28.32	25.02	21.6	
	kW	3.13	3.12	3.12	3.1	3.51	3.50	3.50	3.5	3.93	3.93	3.92	4.0	4.39	4.39	4.38	4.4	4.90	4.90	4.89	4.9	5.50	5.50	5.50	5.5	3.13	3.12	3.12	3.1	3.51	3.50	3.50	3.5	3.93	3.93	3.92	4.0	4.39	4.39	4.38	4.4	4.90	4.90	4.89	4.9	5.50	5.50	5.50	5.5	
85	1400	Amps	12.16	12.15	12.12	12.3	13.90	13.89	13.86	14.0	15.84	15.83	15.80	15.9	17.94	17.93	17.90	18.0	20.29	20.28	20.25	20.4	23.04	23.03	23.00	23.1	12.16	12.15	12.12	12.3	13.90	13.89	13.86	14.0	15.84	15.83	15.80	15.9	17.94	17.93	17.90	18.0	20.29	20.28	20.25	20.4	23.04	23.03	23.00	23.1
		Hi PR	284	285	287	292.2	328	330	331	336.3	375	376	378	382.6	424	426	427	432.4	478	479	481	486.1	535	537	538	543.3	284	285	287	292.2	328	330	331	336.3	375	376	378	382.6	424	426	427	432.4	478	479	481	486.1	535	537	538	543.3
1600	MBh	49.2	49.9	51.3	53.4	48.8	49.5	50.9	53.0	47.6	48.2	49.6	51.8	45.5	46.1	47.5	49.7	42.9	43.6	45.0	47.1	40.6	41.2	42.6	44.7	49.2	49.9	51.3	53.4	48.8	49.5	50.9	53.0	47.6	48.2	49.6	51.8	45.5	46.1	47.5	49.7	42.9	43.6	45.0	47.1	40.6	41.2	42.6	44.7	
	S/T	1.00	1.00	0.88	0.7</																																													

IDB		OUTDOOR AMBIENT TEMPERATURE												105												115											
		75						85						95						105						115											
		AIRFLOW		59	63	67	71	59	63	67	71	59	63	67	71	59	63	67	71	59	63	67	71														
<b>70</b>	<b>1400</b>	MBh	57.0	57.8	59.5	-	56.5	57.3	59.0	-	55.0	55.8	57.5	-	52.4	53.2	54.9	-	49.3	50.1	51.8	-	46.4	47.2	48.9	-											
		S/T	0.57	0.50	0.37	-	0.58	0.50	0.38	-	0.60	0.53	0.40	-	0.62	0.55	0.42	-	0.64	0.57	0.44	-	1.00	0.62	0.49	-											
		ΔT	20.92	18.99	15.38	-	20.87	18.94	15.32	-	21.14	19.21	15.59	-	20.85	18.92	15.30	-	20.59	18.66	15.04	-	21.80	19.87	16.26	-											
		kW	3.74	3.74	3.73	-	4.22	4.21	4.20	-	4.74	4.74	4.73	-	5.31	5.31	5.30	-	5.95	5.95	5.94	-	6.70	6.70	6.69	-											
		Amps	13.86	13.85	13.81	-	15.92	15.90	15.87	-	18.21	18.19	18.16	-	20.69	20.67	20.64	-	23.46	23.44	23.41	-	26.71	26.70	26.66	-											
		Hi PR	278	279	281	-	322	323	325	-	368	369	371	-	418	419	421	-	471	472	474	-	528	529	531	-											
	Lo PR	119	120	123	-	126	127	130	-	132	133	137	-	137	139	142	-	143	144	147	-	149	151	154	-												
	<b>1600</b>	MBh	57.7	58.5	60.2	-	57.2	58.0	59.7	-	55.7	56.5	58.2	-	53.2	54.0	55.7	-	50.0	50.8	52.5	-	47.2	48.0	49.7	-											
		S/T	0.63	0.55	0.43	-	0.63	0.56	0.43	-	0.66	0.58	0.46	-	0.67	0.60	0.47	-	1.00	0.62	0.50	-	1.00	0.67	0.54	-											
		ΔT	19.76	17.82	14.21	-	19.70	17.77	14.15	-	19.97	18.04	14.43	-	19.68	17.75	14.13	-	19.42	17.49	13.88	-	20.64	18.70	15.09	-											
		kW	3.77	3.76	3.76	-	4.24	4.24	4.23	-	4.77	4.76	4.76	-	5.34	5.33	5.33	-	5.98	5.97	5.96	-	6.72	6.72	6.71	-											
		Amps	13.97	13.95	13.92	-	16.02	16.01	15.97	-	18.32	18.30	18.26	-	20.80	20.78	20.74	-	23.57	23.55	23.52	-	26.82	26.80	26.77	-											
Hi PR		281	282	284	-	324	326	328	-	370	372	374	-	420	421	423	-	473	475	476	-	530	532	533	-												
Lo PR	120	122	125	-	127	129	132	-	134	135	138	-	139	141	144	-	144	146	149	-	151	152	155	-													
<b>1800</b>	MBh	58.6	59.4	61.1	-	58.1	58.9	60.6	-	56.6	57.4	59.1	-	54.1	54.9	56.6	-	50.9	51.7	53.4	-	48.1	48.9	50.6	-												
	S/T	0.66	0.59	0.46	-	0.66	0.59	0.46	-	0.69	0.62	0.49	-	0.71	0.63	0.51	-	1.00	0.66	0.53	-	1.00	0.70	0.58	-												
	ΔT	18.77	16.84	13.22	-	18.72	16.78	13.17	-	18.99	17.05	13.44	-	18.70	16.76	13.15	-	18.44	16.50	12.89	-	19.65	17.72	14.10	-												
	kW	3.79	3.78	3.78	-	4.26	4.26	4.25	-	4.79	4.78	4.78	-	5.36	5.35	5.35	-	6.00	5.99	5.98	-	6.74	6.74	6.73	-												
	Amps	14.06	14.04	14.01	-	16.11	16.10	16.06	-	18.40	18.39	18.35	-	20.89	20.87	20.83	-	23.66	23.64	23.61	-	26.91	26.89	26.86	-												
	Hi PR	283	284	286	-	327	328	330	-	373	374	376	-	422	423	425	-	476	477	479	-	533	534	536	-												
Lo PR	122	124	127	-	129	131	134	-	136	137	140	-	141	143	146	-	146	148	151	-	153	154	157	-													
<b>75</b>	<b>1400</b>	MBh	57.0	57.8	59.5	62.1	56.5	57.3	59.0	61.6	55.0	55.8	57.5	60.1	52.4	53.3	55.0	57.6	49.3	50.1	51.8	54.4	46.5	47.3	49.0	51.6											
		S/T	0.69	0.62	0.49	0.4	0.70	0.63	0.50	0.4	0.72	0.65	0.52	0.4	1.00	0.67	0.54	0.4	1.00	0.69	0.56	0.4	1.00	0.74	0.61	0.5											
		ΔT	25.18	23.24	19.63	15.9	25.13	23.19	19.58	15.8	25.40	23.46	19.85	16.1	25.11	23.17	19.56	15.8	24.85	22.91	19.30	15.6	26.06	24.12	20.51	16.8											
		kW	3.74	3.74	3.73	3.8	4.21	4.21	4.20	4.2	4.74	4.74	4.73	4.8	5.31	5.31	5.30	5.3	5.95	5.94	5.94	6.0	6.70	6.69	6.68	6.7											
		Amps	13.85	13.83	13.80	14.0	15.90	15.89	15.85	16.0	18.20	18.18	18.14	18.3	20.68	20.66	20.62	20.8	23.45	23.43	23.40	23.6	26.70	26.68	26.65	26.8											
		Hi PR	278	280	282	286.4	322	324	325	330.3	368	370	371	376.3	418	419	421	425.8	471	472	474	479.2	528	529	531	536.2											
	Lo PR	119	120	123	128.1	126	127	130	135.3	132	134	137	141.6	137	139	142	146.9	143	144	147	152.2	149	151	154	158.7												
	<b>1600</b>	MBh	57.8	58.6	60.3	62.9	57.2	58.0	59.8	62.4	55.8	56.6	58.3	60.9	53.2	54.0	55.7	58.3	50.1	50.9	52.6	55.2	47.2	48.0	49.7	52.3											
		S/T	0.75	0.68	0.55	0.4	0.75	0.68	0.55	0.4	1.00	0.71	0.58	0.4	1.00	0.72	0.60	0.5	1.00	0.74	0.62	0.5	1.00	0.79	0.67	0.5											
		ΔT	24.01	22.07	18.46	14.7	23.96	22.02	18.41	14.7	24.23	22.29	18.68	14.9	23.94	21.99	18.39	14.6	23.68	21.74	18.13	14.4	24.89	22.95	19.34	15.6											
		kW	3.76	3.76	3.75	3.8	4.24	4.23	4.23	4.3	4.76	4.76	4.75	4.8	5.33	5.33	5.32	5.4	5.97	5.97	5.96	6.0	6.72	6.72	6.71	6.7											
		Amps	13.96	13.94	13.90	14.1	16.01	15.99	15.96	16.1	18.30	18.29	18.25	18.4	20.78	20.77	20.73	20.9	23.55	23.54	23.50	23.7	26.81	26.79	26.75	26.9											
Hi PR		281	282	284	288.8	325	326	328	332.7	371	372	374	378.7	420	421	423	428.2	474	475	477	481.6	531	532	534	538.6												
Lo PR	120	122	125	129.8	127	129	132	137.0	134	135	138	143.3	139	141	144	148.7	144	146	149	153.9	151	152	155	160.5													
<b>1800</b>	MBh	58.7	59.5	61.2	63.8	58.1	58.9	60.7	63.3	56.7	57.5	59.2	61.8	54.1	54.9	56.6	59.2	51.0	51.8	53.5	56.1	48.1	48.9	50.6	53.2												
	S/T	0.78	0.71	0.58	0.4	0.79	0.71	0.59	0.5	1.00	0.74	0.61	0.5	1.00	0.76	0.63	0.5	1.00	0.78	0.65	0.5	1.00	0.82	0.70	0.6												
	ΔT	23.03	21.09	17.48	13.7	22.97	21.04	17.42	13.7	23.24	21.31	17.70	14.0	22.95	21.02	17.40	13.7	22.69	20.76	17.15	13.4	23.91	21.97	18.36	14.6												
	kW	3.79	3.78	3.77	3.8	4.26	4.25	4.25	4.3	4.78	4.78	4.77	4.8	5.36	5.35	5.34	5.4	5.99	5.99	5.98	6.0	6.74	6.74	6.73	6.8												
	Amps	14.05	14.03	13.99	14.2	16.10	16.08	16.05	16.2	18.39	18.37	18.34	18.5	20.87	20.86	20.82	21.0	23.64	23.63	23.59	23.7	26.89	26.88	26.84	27.0												
	Hi PR	283	284	286	291.1	327	328	330	335.0	373	374	376	381.0	422	424	426	430.5	476	477	479	483.9	533	534	536	540.9												
Lo PR	122	124	127	131.7	129	131	134	138.9	136	137	140	145.3	141	143	146	150.6	146	148	151	155.8	153	154	157	162.4													

IDB = Entering Indoor Dry Bulb Temperature  
 High and low pressures are measured at the liquid and suction access fittings.  
 Design Subcooling, 10-13 °F @ the liquid access fitting connection AHRI 95 test conditions. Design Superheat 10-14 °F @ the compressor suction access fitting connection.  
 Shaded area reflects AHRI (TVA) conditions.  
 kW = Total system power  
 Amps: Unit amps (comp.+ evaporator + condenser fan motors)



IDB	AIRFLOW	OUTDOOR AMBIENT TEMPERATURE																																			
		65						75						85						95						105						115					
		59	63	67	71	59	63	67	71	59	63	67	71	59	63	67	71	59	63	67	71	59	63	67	71	59	63	67	71	59	63	67	71				
80	1400	MBh	57.3	58.1	59.8	62.4	56.8	57.6	59.3	61.9	55.3	56.1	57.8	60.4	52.7	53.5	55.3	57.9	49.6	50.4	52.1	54.7	46.8	47.6	49.3	51.9	46.8	47.6	49.3	51.9							
		S/T	0.81	0.74	0.61	0.5	1.00	0.74	0.62	0.5	1.00	0.77	0.64	0.5	1.00	0.79	0.66	0.5	1.00	0.81	0.68	0.5	1.00	0.81	0.68	0.5	1.00	0.81	0.68	0.5	1.00	0.81	0.68	0.5			
	ΔT	29.46	27.53	23.91	20.2	29.41	27.47	23.86	20.1	29.68	27.75	24.13	20.4	29.39	27.45	23.84	20.1	29.13	27.20	23.58	19.8	30.34	28.41	24.79	21.1	30.34	28.41	24.79	21.1								
	kW	3.74	3.74	3.73	3.8	4.22	4.21	4.20	4.2	4.74	4.74	4.73	4.8	5.31	5.31	5.30	5.3	5.95	5.95	5.94	6.0	6.70	6.69	6.69	6.7	6.70	6.69	6.69	6.7								
	Amps	13.86	13.84	13.81	14.0	15.91	15.90	15.86	16.0	18.21	18.19	18.15	18.3	20.69	20.67	20.64	20.8	23.46	23.44	23.41	23.6	26.71	26.69	26.66	26.8	26.71	26.69	26.66	26.8								
	Hi PR	279	280	282	287.0	323	324	326	330.8	369	370	372	376.8	418	420	422	426.4	472	473	475	479.7	529	530	532	536.7	529	530	532	536.7								
	Lo PR	119	121	124	128.6	126	128	131	135.8	133	134	137	142.1	138	139	142	147.4	143	145	148	152.7	150	151	154	159.2	150	151	154	159.2								
	1600	MBh	58.1	58.9	60.6	63.2	57.5	58.3	60.0	62.6	56.1	56.9	58.6	61.2	53.5	54.3	56.0	58.6	50.4	51.2	52.9	55.5	48.4	49.2	50.9	53.5	48.4	49.2	50.9	53.5							
		S/T	0.87	0.79	0.67	0.5	1.00	0.80	0.67	0.5	1.00	0.82	0.70	0.6	1.00	0.84	0.71	0.6	1.00	0.84	0.71	0.6	1.00	0.84	0.71	0.6	1.00	0.84	0.71	0.6							
	ΔT	28.29	26.36	22.75	19.0	28.24	26.31	22.69	18.9	28.51	26.58	22.96	19.2	28.22	26.29	22.67	18.9	27.96	26.03	22.41	18.7	29.17	27.24	23.63	19.9	29.17	27.24	23.63	19.9								
kW	3.77	3.76	3.76	3.8	4.24	4.24	4.23	4.3	4.77	4.76	4.76	4.8	5.34	5.33	5.33	5.4	5.97	5.97	5.96	6.0	6.72	6.72	6.71	6.7	6.72	6.72	6.71	6.7									
Amps	13.97	13.95	13.92	14.1	16.02	16.00	15.97	16.1	18.31	18.30	18.26	18.4	20.79	20.78	20.74	20.9	23.56	23.55	23.51	23.7	26.82	26.80	26.76	26.9	26.82	26.80	26.76	26.9									
Hi PR	281	283	284	289.3	325	326	328	333.2	371	372	374	379.2	421	422	424	428.7	474	475	477	482.1	531	532	534	539.1	531	532	534	539.1									
Lo PR	121	122	125	130.3	128	129	132	137.5	134	136	139	143.8	140	141	144	149.2	145	146	149	154.4	151	153	156	161.0	151	153	156	161.0									
1800	1400	MBh	58.9	59.8	61.5	64.1	58.4	59.2	60.9	63.5	57.0	57.8	59.5	62.1	54.4	55.2	56.9	59.5	51.3	52.1	53.8	56.4	48.4	49.2	50.9	53.5	48.4	49.2	50.9	53.5							
		S/T	1.00	0.83	0.70	0.6	1.00	0.83	0.70	0.6	1.00	0.86	0.73	0.6	1.00	0.87	0.75	0.6	1.00	0.87	0.75	0.6	1.00	0.87	0.75	0.6	1.00	0.87	0.75	0.6							
	ΔT	27.31	25.37	21.76	18.0	27.26	25.32	21.71	18.0	27.53	25.59	21.98	18.2	27.24	25.30	21.69	17.9	26.98	25.04	21.43	17.7	28.19	26.25	22.64	18.9	28.19	26.25	22.64	18.9								
	kW	3.79	3.78	3.78	3.8	4.26	4.26	4.25	4.3	4.79	4.78	4.78	4.8	5.36	5.35	5.35	5.4	6.00	5.99	5.98	6.0	6.74	6.74	6.73	6.8	6.74	6.74	6.73	6.8								
	Amps	14.06	14.04	14.00	14.2	16.11	16.09	16.06	16.2	18.40	18.39	18.35	18.5	20.88	20.87	20.83	21.0	23.65	23.64	23.60	23.8	26.91	26.89	26.85	27.0	26.91	26.89	26.85	27.0								
	Hi PR	284	285	287	291.6	327	329	331	335.5	373	375	377	381.5	423	424	426	431.0	476	478	480	484.4	533	535	537	541.4	533	535	537	541.4								
	Lo PR	123	124	127	132.3	130	131	134	139.5	136	138	141	145.8	142	143	146	151.1	147	148	151	156.4	153	155	158	162.9	153	155	158	162.9								
	1600	MBh	58.3	59.1	60.8	63.4	57.8	58.6	60.3	62.9	56.3	57.1	58.8	61.4	53.7	54.5	56.2	58.8	50.6	51.4	53.1	55.7	47.7	48.5	50.2	52.8	47.7	48.5	50.2	52.8							
		S/T	1.00	0.83	0.71	0.6	1.00	0.84	0.71	0.6	1.00	0.87	0.73	0.6	1.00	0.89	0.75	0.6	1.00	0.89	0.75	0.6	1.00	0.89	0.75	0.6	1.00	0.89	0.75	0.6							
	ΔT	33.26	31.33	27.71	24.0	33.21	31.27	27.66	23.9	33.48	31.55	27.93	24.2	33.19	31.25	27.64	23.9	32.93	31.00	27.38	23.6	34.14	32.21	28.59	24.9	34.14	32.21	28.59	24.9								
kW	3.75	3.75	3.74	3.8	4.22	4.22	4.21	4.2	4.75	4.75	4.74	4.8	5.32	5.32	5.31	5.3	5.96	5.96	5.95	6.0	6.71	6.70	6.70	6.7	6.71	6.70	6.70	6.7									
Amps	13.90	13.88	13.85	14.0	15.95	15.94	15.90	16.1	18.25	18.23	18.19	18.4	20.73	20.71	20.67	20.8	23.50	23.48	23.45	23.6	26.75	26.73	26.70	26.9	26.75	26.73	26.70	26.9									
Hi PR	280	281	283	288.3	324	325	327	332.2	370	371	373	378.1	420	421	423	427.7	473	474	476	481.1	530	531	533	538.0	530	531	533	538.0									
Lo PR	121	122	125	130.4	128	130	133	137.6	134	136	139	143.9	140	141	144	149.2	145	146	149	154.5	151	153	156	161.0	151	153	156	161.0									
85	1600	MBh	59.0	59.8	61.5	64.1	58.5	59.3	61.0	63.6	57.0	57.8	59.5	62.1	54.5	55.3	57.0	59.6	51.3	52.1	53.8	56.4	48.5	49.3	51.0	53.6	48.5	49.3	51.0	53.6							
		S/T	1.00	0.89	0.76	0.6	1.00	0.90	0.77	0.6	1.00	0.93	0.80	0.7	1.00	0.95	0.81	0.7	1.00	0.95	0.81	0.7	1.00	0.95	0.81	0.7	1.00	0.95	0.81	0.7							
ΔT	32.09	30.16	26.54	22.8	32.04	30.10	26.49	22.7	32.31	30.38	26.76	23.0	32.02	30.08	26.47	22.7	31.76	29.83	26.21	22.5	32.97	31.04	27.42	23.7	32.97	31.04	27.42	23.7									
kW	3.78	3.77	3.76	3.8	4.25	4.25	4.24	4.3	4.78	4.77	4.76	4.8	5.35	5.34	5.33	5.4	5.98	5.98	5.97	6.0	6.73	6.73	6.72	6.8	6.73	6.73	6.72	6.8									
Amps	14.01	13.99	13.95	14.1	16.06	16.04	16.01	16.2	18.35	18.34	18.30	18.5	20.83	20.82	20.78	20.9	23.60	23.59	23.55	23.7	26.86	26.84	26.80	27.0	26.86	26.84	26.80	27.0									
Hi PR	283	284	286	290.6	327	328	330	334.5	372	374	376	380.5	422	423	425	430.0	475	477	479	483.4	532	534	536	540.4	532	534	536	540.4									
Lo PR	123	124	127	132.1	130	131	134	139.3	136	138	141	145.6	141	143	146	151.0	147	148	151	156.2	153	155	158	162.8	153	155	158	162.8									
1800	MBh	59.9	60.7	62.4	65.0	59.4	60.2	61.9	64.5	57.9	58.7	60.4	63.0	55.4	56.2	57.9	60.5	52.2	53.0	54.7	57.3	49.4	50.2	51.9	54.5	49.4	50.2	51.9	54.5								
	S/T	1.00	0.92	0.79	0.7	1.00	0.93	0.80	0.7	1.00	0.96	0.82	0.7	1.00	0.98	0.84	0.7	1.00	0.98	0.84	0.7	1.00	0.98	0.84	0.7	1.00	0.98	0.84	0.7								
ΔT	31.11	29.17	25.56	21.8	31.06	29.12	25.51	21.8	31.33	29.39	25.78	22.0	31.04	29.10	25.49	21.7	30.78	28.84	25.23	21.5	31.99	30.05	26.44	22.7	31.99	30.05	26.44	22.7									
kW	3.80	3.79	3.79	3.8	4.27	4.27	4.26	4.3	4.80	4.79	4.78	4.8	5.37	5.36	5.36	5.4	6.00	6.00	5.99	6.0	6.75	6.75	6.74	6.8	6.75	6.75	6.74	6.8									
Amps	14.10	14.08	14.04	14.2	16.15	16.13	16.10	16.3	18.44	18.43	18.39	18.5	20.92	20.91	20.87	21.0	23.69	23.68	23.64	23.8	26.94	26.93	26.89	27.1	26.94	26.93	26.89	27.1									
Hi PR	285	286	288	292.9	329	330	332	336.8	375	376	378	382.8	424	426	427	432.3	478	479	481	485.7	535	536	538	542.7	535	536	538	542.7									
Lo PR	125	126	129	134.0	132	133	136	141.2	138	139	143	147.6	143	145	148	152.9	149	150	153	158.1	155	157	160	164.7	155	157	160	164.7									

IDB = Entering Indoor Dry Bulb Temperature  
 High and low pressures are measured at the liquid and suction access fittings.  
 Design Subcooling, 10-13 °F @ the liquid access fitting connection AHRI 95 test conditions. Design Superheat 10-14 °F @ the compressor suction access fitting connection.  
 Shaded area reflects AHRI conditions.  
 Amps: Unit amps (comp.+ evaporator + condenser fan motors)  
 KW = Total system power



EXPANDED COOLING DATA — DP3CH6041 (70%)

IDB		OUTDOOR AMBIENT TEMPERATURE																																									
		65							75							85							95							105							115						
		59	63	67	71	59	63	67	71	59	63	67	71	59	63	67	71	59	63	67	71	59	63	67	71	59	63	67	71	59	63	67	71										
70	980	MBh	41.0	41.5	42.8	-	40.6	41.2	42.4	-	39.5	40.1	41.3	-	37.7	38.3	39.5	-	35.4	36.0	37.2	-	33.4	34.0	35.2	-	33.4	34.0	35.2	-													
		S/T	0.58	0.51	0.38	-	0.59	0.51	0.38	-	0.61	0.54	0.41	-	0.63	0.56	0.43	-	1.00	0.58	0.45	-	1.00	0.63	0.50	-	1.00	0.63	0.50	-													
		ΔT	20.22	18.35	14.86	-	20.17	18.30	14.81	-	20.43	18.56	15.07	-	20.15	18.28	14.79	-	19.90	18.03	14.54	-	21.07	19.20	15.71	-	21.07	19.20	15.71	-													
		kW	2.35	2.35	2.35	-	2.65	2.65	2.64	-	2.98	2.98	2.98	-	3.34	3.34	3.33	-	3.74	3.74	3.74	-	4.21	4.21	4.21	-	4.21	4.21	4.21	-													
		Amps	8.72	8.71	8.69	-	10.01	10.00	9.98	-	11.45	11.44	11.42	-	13.01	13.00	12.98	-	14.76	14.75	14.72	-	16.80	16.79	16.77	-	16.80	16.79	16.77	-													
	Hi PR	266	267	269	-	308	309	311	-	352	353	355	-	399	400	402	-	450	451	453	-	505	506	508	-	505	506	508	-														
	Lo PR	122	123	126	-	129	131	134	-	136	137	140	-	141	143	146	-	147	148	151	-	153	155	158	-	153	155	158	-														
	MBh	41.5	42.1	43.3	-	41.1	41.7	42.9	-	40.1	40.6	41.9	-	38.2	38.8	40.0	-	36.0	36.6	37.8	-	33.9	34.5	35.7	-	33.9	34.5	35.7	-														
	S/T	0.64	0.57	0.44	-	0.65	0.57	0.44	-	0.67	0.60	0.47	-	0.69	0.62	0.49	-	1.00	0.64	0.51	-	1.00	0.69	0.56	-	1.00	0.69	0.56	-														
	ΔT	19.09	17.22	13.73	-	19.04	17.17	13.68	-	19.30	17.43	13.94	-	19.02	17.15	13.66	-	18.77	16.90	13.41	-	19.94	18.07	14.58	-	19.94	18.07	14.58	-														
kW	2.37	2.37	2.36	-	2.67	2.66	2.66	-	3.00	3.00	2.99	-	3.36	3.36	3.35	-	3.76	3.76	3.75	-	4.23	4.23	4.22	-	4.23	4.23	4.22	-															
Amps	8.79	8.78	8.75	-	10.08	10.07	10.05	-	11.52	11.51	11.49	-	13.08	13.07	13.05	-	14.82	14.81	14.79	-	16.87	16.86	16.84	-	16.87	16.86	16.84	-															
Hi PR	268	269	271	-	310	311	313	-	354	355	357	-	401	403	404	-	453	454	456	-	507	508	510	-	507	508	510	-															
Lo PR	124	125	128	-	131	133	136	-	138	139	142	-	143	145	148	-	148	150	153	-	155	157	160	-	155	157	160	-															
MBh	42.1	42.7	44.0	-	41.8	42.4	43.6	-	40.7	41.3	42.5	-	38.9	39.5	40.7	-	36.6	37.2	38.4	-	34.6	35.1	36.4	-	34.6	35.1	36.4	-															
S/T	0.67	0.60	0.47	-	0.68	0.61	0.47	-	0.70	0.63	0.50	-	1.00	0.65	0.52	-	1.00	0.67	0.54	-	1.00	0.72	0.59	-	1.00	0.72	0.59	-															
ΔT	18.14	16.27	12.78	-	18.09	16.22	12.73	-	18.35	16.48	12.99	-	18.07	16.20	12.71	-	17.82	15.95	12.46	-	18.99	17.12	13.63	-	18.99	17.12	13.63	-															
kW	2.38	2.38	2.38	-	2.68	2.68	2.67	-	3.01	3.01	3.00	-	3.37	3.37	3.36	-	3.77	3.77	3.76	-	4.24	4.24	4.23	-	4.24	4.24	4.23	-															
Amps	8.84	8.83	8.81	-	10.13	10.12	10.10	-	11.58	11.57	11.54	-	13.14	13.13	13.10	-	14.88	14.87	14.85	-	16.93	16.92	16.89	-	16.93	16.92	16.89	-															
Hi PR	270	272	273	-	312	314	315	-	356	357	359	-	404	405	407	-	455	456	458	-	509	510	512	-	509	510	512	-															
Lo PR	126	127	130	-	133	135	138	-	139	141	144	-	145	147	150	-	150	152	155	-	157	159	162	-	157	159	162	-															
75	980	MBh	41.0	41.6	42.8	44.7	40.6	41.2	42.4	44.3	39.6	40.1	41.4	43.2	37.7	38.3	39.5	41.4	35.5	36.0	37.3	39.1	33.4	34.0	35.2	37.1	33.4	34.0	35.2	37.1													
		S/T	0.71	0.63	0.50	0.37	0.71	0.64	0.51	0.37	1.00	0.66	0.53	0.40	1.00	0.68	0.55	0.41	22.88	21.01	17.52	13.90	24.05	22.18	18.69	15.07	24.05	22.18	18.69	15.07													
		ΔT	24.33	22.46	18.97	15.35	24.28	22.41	18.92	15.30	24.54	22.67	19.18	15.56	24.26	22.39	18.90	15.28	24.01	22.14	18.65	15.03	25.18	23.31	19.82	16.20	25.18	23.31	19.82	16.20													
		kW	2.35	2.35	2.35	2.37	2.65	2.65	2.64	2.67	2.98	2.98	2.97	3.00	3.34	3.34	3.33	3.36	3.74	3.74	3.73	3.76	4.21	4.21	4.21	4.20	4.23	4.21	4.21	4.20	4.23												
		Amps	8.71	8.70	8.68	8.78	10.00	9.99	9.97	10.07	11.44	11.43	11.41	11.51	13.01	12.99	12.97	13.07	14.75	14.74	14.72	14.81	16.79	16.78	16.76	16.86	16.79	16.78	16.76	16.86													
	Hi PR	266	267	269	274	308	309	311	316	352	353	355	360	399	401	402	407	450	450	452	454	505	506	508	513	505	506	508	513														
	Lo PR	122	123	126	132	129	131	134	139	136	137	140	146	141	143	146	151	156	147	148	151	156	153	155	158	163	153	155	158	163													
	MBh	41.5	42.1	43.3	45.2	41.2	41.7	43.0	44.8	40.1	40.7	41.9	43.8	38.2	38.8	40.1	41.9	43.8	36.0	36.6	37.8	39.7	33.9	34.5	35.7	37.6	33.9	34.5	35.7	37.6													
	S/T	0.76	0.69	0.56	0.42	0.77	0.70	0.57	0.43	1.00	0.72	0.59	0.45	1.00	0.74	0.61	0.47	23.13	21.01	17.52	13.90	24.05	22.18	18.69	15.07	24.05	22.18	18.69	15.07														
	ΔT	23.20	21.33	17.84	14.22	23.15	21.28	17.79	14.17	23.41	21.54	18.05	14.43	23.13	21.26	17.77	14.15	22.88	21.01	17.52	13.90	24.05	22.18	18.69	15.07	24.05	22.18	18.69	15.07														
kW	2.37	2.37	2.36	2.38	2.67	2.66	2.66	2.68	3.00	2.99	2.99	3.01	3.36	3.36	3.35	3.37	3.76	3.76	3.75	3.77	4.23	4.23	4.22	4.24	4.23	4.23	4.22	4.24	4.24														
Amps	8.78	8.77	8.75	8.84	10.07	10.06	10.04	10.14	11.51	11.50	11.48	11.58	13.07	13.07	13.06	13.14	14.82	14.81	14.78	14.88	16.86	16.85	16.83	16.93	16.86	16.85	16.83	16.93															
Hi PR	268	270	271	276	310	312	313	318	354	356	357	362	402	403	405	409	453	453	454	456	507	508	510	515	507	508	510	515															
Lo PR	124	125	128	133	131	133	136	141	138	139	142	147	143	145	148	153	158	148	150	153	158	155	157	160	165	155	157	160	165														
MBh	42.2	42.8	44.0	45.8	41.8	42.4	43.6	45.5	40.7	41.3	42.5	44.4	38.9	39.5	40.7	42.6	46.6	36.6	37.2	38.4	40.3	34.6	35.2	36.4	38.3	34.6	35.2	36.4	38.3														
S/T	0.80	0.72	0.59	0.46	0.80	0.73	0.60	0.46	1.00	0.75	0.62	0.49	1.00	0.77	0.64	0.50	22.88	21.01	17.52	13.90	24.05	22.18	18.69	15.07	24.05	22.18	18.69	15.07															
ΔT	22.25	20.38	16.89	13.27	22.20	20.33	16.84	13.22	22.46	20.59	17.10	13.48	22.18	20.31	16.82	13.20	21.93	20.06	16.57	12.95	23.10	21.23	17.74	14.12	23.10	21.23	17.74	14.12															
kW	2.38	2.38	2.37	2.40	2.68	2.68	2.67	2.69	3.01	3.01	3.00	3.03	3.37	3.37	3.36	3.38	3.77	3.77	3.76	3.78	4.24	4.24	4.23	4.26	4.24	4.24	4.23	4.26	4.26														
Amps	8.83	8.82	8.80	8.90	10.13	10.12	10.09	10.19	11.57	11.56	11.54	11.63	13.13	13.12	13.10	13.19	14.87	14.86	14.84	14.94	16.92	16.91	16.88	16.98	16.92	16.91	16.88	16.98															
Hi PR	271	272	274	278	313	314	316	320	357	358	360	364	404	405	407	412	455	455	456	458	509	511	512	517	509	511	512	517															
Lo PR	126	127	130	135	133	135	138	143	140	141	144	149	145	147	150	155	160	150	152	155	160	157	159	162	167	157	159	162	167														

IDB = Entering Indoor Dry Bulb Temperature  
 High and low pressures are measured at the liquid and suction access fittings.  
 Design Subcooling, 10-13 °F @ the liquid access fitting connection AHRI 95 test conditions. Design Superheat 10-14 °F @ the compressor suction access fitting connection.  
 Shaded area reflects AHRI (TVA) conditions.  
 Amps: Unit amps (comp.+ evaporator + condenser fan motors)  
 kW = Total system power

IDB	AIRFLOW	OUTDOOR AMBIENT TEMPERATURE																													
		65						75						85						105						115					
		59	63	67	71	75	79	59	63	67	71	75	79	59	63	67	71	75	79	59	63	67	71	75	79	59	63	67	71	75	79
80	980	MBh	41.2	41.8	43.0	44.9	40.8	41.4	42.6	44.5	39.8	40.3	41.6	43.4	37.9	38.5	39.7	41.6	35.7	36.3	37.5	39.3	33.6	34.2	35.4	37.3					
		S/T	0.83	0.75	0.62	0.49	1.00	0.76	0.63	0.49	1.00	0.78	0.65	0.52	1.00	0.80	0.67	0.53	1.00	1.00	1.00	0.69	0.56	1.00	1.00	0.74	0.61				
		ΔT	28.47	26.60	23.11	19.49	28.42	26.55	23.06	19.44	28.68	26.81	23.32	19.70	28.40	26.53	23.04	19.42	28.15	26.28	22.79	19.17	29.32	27.45	23.96	20.34					
		kW	2.35	2.35	2.35	2.37	2.65	2.65	2.64	2.67	2.98	2.98	2.98	3.00	3.34	3.34	3.33	3.36	3.74	3.74	3.74	3.74	4.21	4.21	4.21	4.23					
		Amps	8.72	8.71	8.69	8.78	10.01	10.00	9.98	10.08	11.45	11.44	11.42	11.52	13.01	13.00	12.98	13.08	14.76	14.75	14.75	14.72	14.82	16.80	16.79	16.77	16.87				
	Hi PR	267	268	270	274	309	310	312	316	353	354	356	360	400	401	403	408	451	452	454	454	459	505	507	508	513					
	Lo PR	122	124	127	132	130	131	134	140	136	138	141	146	142	143	146	152	147	149	152	157	157	154	155	159	164					
	1120	MBh	41.7	42.3	43.5	45.4	41.4	42.0	43.2	45.0	40.3	40.9	42.1	44.0	38.5	39.0	40.3	42.1	36.2	36.8	38.0	39.9	34.2	34.7	36.0	37.8					
		S/T	1.00	0.81	0.68	0.54	1.00	0.82	0.69	0.55	1.00	0.84	0.71	0.57	1.00	0.86	0.73	0.59	1.00	1.00	1.00	0.75	0.61	1.00	1.00	0.80	0.66				
		ΔT	27.34	25.47	21.98	18.36	27.29	25.42	21.93	18.31	27.55	25.68	22.19	18.57	27.27	25.40	21.91	18.29	27.02	25.15	21.66	18.04	28.19	26.32	22.83	19.21					
kW		2.37	2.37	2.36	2.38	2.67	2.66	2.66	2.68	3.00	3.00	2.99	3.01	3.36	3.35	3.35	3.37	3.76	3.76	3.76	3.75	4.23	4.23	4.23	4.24						
Amps		8.79	8.78	8.75	8.85	10.08	10.07	10.04	10.14	11.52	11.51	11.49	11.59	13.08	13.07	13.05	13.15	14.82	14.81	14.79	14.89	16.87	16.86	16.84	16.93						
Hi PR	269	270	272	277	311	312	314	319	355	356	358	363	402	403	405	410	453	454	454	456	461	508	509	511	515						
Lo PR	124	126	129	134	132	133	136	141	138	140	143	148	144	144	145	148	153	149	150	154	159	156	157	160	165						
1260	MBh	42.4	43.0	44.2	46.1	42.0	42.6	43.8	45.7	40.9	41.5	42.8	44.6	39.1	39.7	40.9	42.8	36.9	37.4	38.7	40.5	34.8	35.4	36.6	38.5						
	S/T	1.00	0.84	0.71	0.58	1.00	0.85	0.72	0.58	1.00	0.87	0.74	0.61	1.00	1.00	0.76	0.62	1.00	1.00	0.78	0.65	1.00	1.00	0.83	0.70						
	ΔT	26.39	24.52	21.03	17.41	26.34	24.47	20.98	17.36	26.60	24.73	21.24	17.62	26.32	24.45	20.96	17.34	26.07	24.20	20.71	17.09	27.24	25.37	21.88	18.26						
	kW	2.38	2.38	2.38	2.40	2.68	2.68	2.67	2.69	3.01	3.01	3.00	3.03	3.37	3.37	3.36	3.39	3.77	3.77	3.77	3.76	4.24	4.24	4.24	4.26						
	Amps	8.84	8.83	8.81	8.91	10.13	10.12	10.10	10.20	11.57	11.56	11.54	11.64	13.14	13.12	13.10	13.20	14.88	14.87	14.85	14.94	16.92	16.91	16.89	16.99						
Hi PR	271	272	274	279	313	314	316	321	357	358	360	365	404	406	407	412	455	457	458	463	510	511	513	518							
Lo PR	126	128	131	136	134	135	138	143	140	142	145	150	146	147	150	155	151	152	156	161	158	159	162	167							
85	980	MBh	41.9	42.5	43.7	45.6	41.5	42.1	43.3	45.2	40.5	41.0	42.3	44.1	38.6	39.2	40.4	42.3	36.4	36.9	38.2	40.0	34.3	34.9	36.1	38.0					
		S/T	1.00	0.85	0.72	0.58	1.00	0.86	0.73	0.59	1.00	0.88	0.75	0.61	1.00	1.00	0.77	0.63	1.00	1.00	0.79	0.65	1.00	1.00	0.70	0.70					
		ΔT	32.14	30.27	26.78	23.16	32.09	30.22	26.73	23.11	32.35	30.48	26.99	23.37	32.07	30.20	26.71	23.09	31.82	29.95	26.46	22.84	32.99	31.12	27.63	24.01					
		kW	2.36	2.36	2.35	2.38	2.66	2.65	2.65	2.67	2.99	2.99	2.98	3.00	3.35	3.35	3.34	3.36	3.75	3.75	3.75	3.76	4.22	4.22	4.22	4.23					
		Amps	8.74	8.73	8.71	8.81	10.03	10.02	10.00	10.10	11.48	11.47	11.44	11.54	13.04	13.03	13.00	13.10	14.78	14.77	14.75	14.85	16.83	16.81	16.79	16.89					
	Hi PR	268	269	271	276	310	311	313	318	354	355	357	362	401	402	404	409	452	453	455	460	507	508	510	514						
	Lo PR	124	126	129	134	132	133	136	141	138	140	143	148	144	144	145	148	153	149	150	154	159	156	157	160	166					
	1120	MBh	42.4	43.0	44.2	46.1	42.1	42.6	43.9	45.7	41.0	41.6	42.8	44.7	39.2	39.7	41.0	42.8	36.9	37.5	38.7	40.6	34.8	35.4	36.7	38.5					
		S/T	1.00	0.91	0.78	0.64	1.00	0.91	0.78	0.65	1.00	1.00	0.81	0.67	1.00	1.00	0.83	0.69	1.00	1.00	0.85	0.71	1.00	1.00	0.76	0.76					
		ΔT	31.01	29.14	25.65	22.03	30.96	29.09	25.60	21.98	31.22	29.35	25.86	22.24	30.94	29.07	25.58	21.96	30.69	28.82	25.33	21.71	31.86	29.99	26.50	22.88					
kW		2.38	2.37	2.37	2.39	2.67	2.67	2.67	2.69	3.00	3.00	3.00	3.02	3.36	3.36	3.36	3.38	3.76	3.76	3.76	3.78	4.23	4.23	4.23	4.25						
Amps		8.81	8.80	8.78	8.88	10.10	10.09	10.07	10.17	11.54	11.53	11.51	11.61	13.10	13.09	13.07	13.17	14.85	14.84	14.81	14.91	16.89	16.88	16.86	16.96						
Hi PR	270	271	273	278	312	313	315	320	356	357	359	364	403	405	406	411	454	456	458	462	509	510	512	517							
Lo PR	126	128	131	136	133	135	138	143	140	141	145	150	145	147	150	155	151	152	155	161	158	159	162	167							
1260	MBh	43.1	43.7	44.9	46.7	42.7	43.3	44.5	46.4	41.6	42.2	43.4	45.3	39.8	40.4	41.6	43.5	37.5	38.1	39.4	41.2	35.5	36.1	37.3	39.2						
	S/T	1.00	0.94	0.81	0.67	1.00	1.00	0.82	0.68	1.00	1.00	0.84	0.70	1.00	1.00	0.86	0.72	1.00	1.00	0.88	0.74	1.00	1.00	0.79	0.79						
	ΔT	30.06	28.19	24.70	21.08	30.01	28.14	24.65	21.03	30.27	28.40	24.91	21.29	29.99	28.12	24.63	21.01	29.74	27.87	24.38	20.76	30.91	29.04	25.55	21.93						
	kW	2.39	2.39	2.38	2.40	2.69	2.68	2.68	2.70	3.02	3.01	3.01	3.03	3.38	3.37	3.37	3.39	3.78	3.77	3.77	3.79	4.25	4.24	4.24	4.26						
	Amps	8.87	8.86	8.83	8.93	10.16	10.15	10.13	10.22	11.60	11.59	11.57	11.67	13.16	13.15	13.13	13.23	14.90	14.89	14.87	14.97	16.95	16.94	16.92	17.01						
Hi PR	272	274	275	280	314	315	317	322	358	359	361	366	406	407	409	413	457	458	460	464	511	512	514	519							
Lo PR	128	129	133	138	135	137	140	145	142	143	146	152	147	149	152	157	153	154	157	163	160	161	164	169							

IDB = Entering Indoor Dry Bulb Temperature  
 High and low pressures are measured at the liquid and suction access fittings.  
 Design Subcooling, 10-13 °F @ the liquid access fitting connection AHRI 95 test conditions. Design Superheat 10-14 °F @ the compressor suction access fitting connection.  
 Shaded area reflects AHRI conditions.  
 Amps: Unit amps (comp.+ evaporator + condenser fan motors)  
 KW = Total system power

MODEL	SPEED*	VOLTS	TYPE	E.S.P. (IN. OF H <sub>2</sub> O)							
				0.1	0.2	0.3	0.4	0.5	0.6	0.7	0.8
DP3CH2441	T1	230	CFM	922	873	823	774	724	675	626	576
			Watts	74	85	96	107	118	129	140	151
	T2,T3	230	CFM	1172	1121	1068	1012	953	892	832	762
			Watts	135	145	155	164	175	186	184	203
	T4, T5	230	CFM	1231	1179	1127	1074	1022	969	917	865
			Watts	168	180	193	205	2108	230	243	255
DP3CH3041	T1	230	CFM	864	808	757	695	636	567	494	437
			Watts	72	82	91	103	107	115	123	131
	T2,T3	230	CFM	1323	1270	1220	1171	1119	1060	997	945
			Watts	179	190	199	209	219	230	240	248
	T4, T5	230	CFM	1404	1362	1321	1271	1238	1191	1150	1105
			Watts	235	246	257	272	284	289	300	309
DP3CH3641	T1	230	CFM	1161	1113	1076	1034	994	949	889	837
			Watts	139	150	163	172	184	194	207	218
	T2,T3	230	CFM	1379	1343	1305	1265	1226	1190	1148	1108
			Watts	216	229	241	254	264	276	285	296
	T4, T5	230	CFM	1542	1502	1462	1427	1392	1352	1316	1280
			Watts	291	301	314	327	339	349	359	371
DP3CH4241	T1	230	CFM	1271	1214	1167	1127	1095	1052	1013	971
			Watts	168	177	188	200	214	224	235	249
	T2/T3	230	CFM	1491	1451	1406	1369	1335	1295	1262	1226
			Watts	245	258	268	281	294	305	318	330
	T4/T5	230	CFM	1736	1679	1638	1598	1558	1520	1484	1441
			Watts	356	372	382	395	408	422	433	442
DP3CH4841	T1	230	CFM	1337	1297	1218	1155	1118	1088	1022	989
			Watts	179	190	203	210	225	243	249	268
	T2/T3	230	CFM	1758	1715	1674	1637	1596	1557	1518	1474
			Watts	394	406	418	430	443	455	466	474
	T4/T5	230	CFM	2002	1935	1885	1827	1767	1732	1669	1618
			Watts	498	521	516	534	551	567	571	574

\* Speed set at T2 at the factory. DP3CH6041

**DP3CH6041**

COOLING / HP SPEED	ADJUST TAP	CFM*	ELECTRIC HEAT	ADJUST TAP	CFM*
D	Minus	1,506	D	Minus	1,506
	Normal	1,699		Normal	1,699
	Plus	1,872		Plus	1,872
C	Minus	1,420	C	Minus	1,420
	Normal	1,596		Normal	1,596
	Plus	1,764		Plus	1,764
B	Minus	1,323	B	Minus	1,323
	Normal	1,491		Normal	1,491
	Plus**	1,642		Plus**	1,642
A	Minus	1,217	A	Minus	1,217
	Normal	1,385		Normal	1,385
	Plus	1,537		Plus	1,537

\* - @ 0.1 - 0.8 ESP \*\* - Factory Default

HEAT KIT ELECTRICAL DATA (BLOWER ONLY, HEAT MODE)

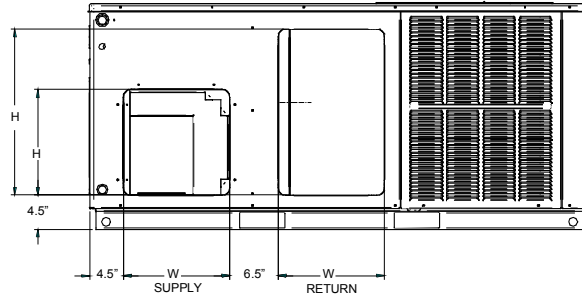
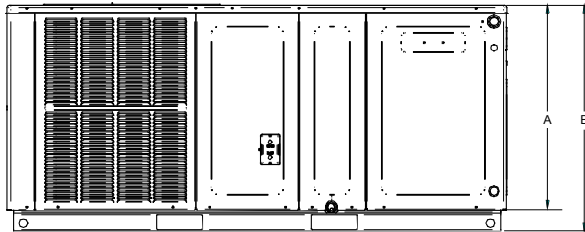
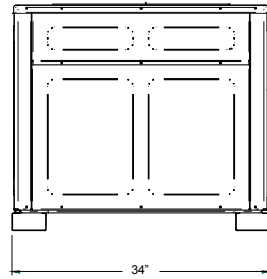
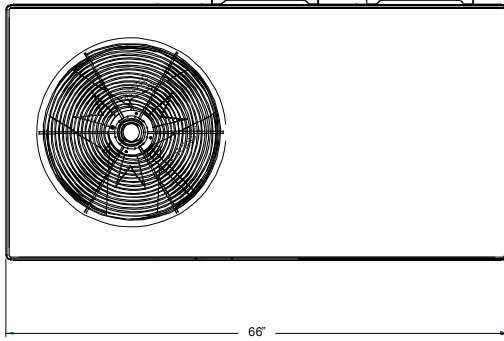
MODEL	HEATER KIT	CIRCUIT #1		CIRCUIT #2		PROTECTION		ACTUAL @ 240V	
		MCA*	MOP**	MCA*	MOP**	MCA*	MOP**	kW	BTU/HR
DP3CH2441AA	HKP-05C	24.7	25	-	-	28.5	30	4.75	16,200
	HKR-08C	36.5	40	-	-	58.1	60	7	23,800
	HKP-10C	49.5	50	-	-	71.1	80	9.5	32,400
DP3CH3041AA	HKP-05C	24.7	25	-	-	28.5	30	4.75	16,200
	HKR-08C	36.5	40	-	-	58.1	60	7	23,800
	HKP-10C	49.5	50	-	-	71.1	80	9.5	32,400
	HKP-15C	49.5	50	24.7	25	102	110	14.25	48,600
DP3CH3641AA	HKP-05C	24.7	25	-	-	28.5	30	4.75	16,200
	HKR-08C	36.5	40	-	-	60.8	60	7	23,800
	HKP-10C	49.5	50	-	-	73.8	80	9.5	32,400
	HKP-15C	49.5	50	24.7	25	104.7	110	14.25	48,600
DP3CH4241AA	HKP-05C	24.7	25	-	-	30.1	30	4.75	16,200
	HKR-08C	36.5	40	-	-	35.7	70	7	23,800
	HKP-10C	49.5	50	-	-	78.7	80	9.5	32,400
	HKP-15C	49.5	50	24.7	25	109.6	110	14.25	48,600
	HKP-20C	49.5	50	49.5	50	140.6	150	19	64,800
DP3CH4841AA	HKP-05C	25	25	-	-	30.1	35	4.75	16,200
	HKR-08C	36	40	-	-	38.1	80	7	23,800
	HKP-10C	49	50	-	-	81.1	90	9.5	32,400
	HKP-15C	49	50	25	25	112	125	14.25	48,600
	HKP-20C	49	50	49	50	143	150	19	64,800
DP3CH6041AA	HKP-05C	24.7	25	-	-	31.5	35	4.75	16,200
	HKR-08C	36.5	40	-	-	73.4	80	7	23,800
	HKP-10C	49.5	50	-	-	86.4	90	9.5	32,400
	HKP-15C	49.5	50	24.7	25	117.3	125	14.25	48,600
	HKP-20C	49.5	50	49.5	50	148.3	150	19	64,800

\* - Minimum Circuit Ampacity  
 \*\* - Maximum Overload Protection  
 C Circuit breaker option

HEAT KIT ELECTRICAL DATA (BLOWER ONLY, HEAT MODE) (CONT.)

MODEL	HEATER KIT	CIRCUIT #1		CIRCUIT #2		PROTECTION		ACTUAL @ 240V	
		MCA*	MOP**	MCA*	MOP**	MCA*	MOP**	kW	BTU/HR
DP3CH2441AB	HKTPD05	24.7	25	-	-	28.5	30	4.75	16,200
	HKTPD08	36.5	40	-	-	58.1	60	7	23,800
	HKTPD10	49.5	50	-	-	71.1	80	9.5	32,400
DP3CH3041AB	HKTPD05	24.7	25	-	-	28.5	30	4.75	16,200
	HKTPD08	36.5	40	-	-	58.1	60	7	23,800
	HKTPD10	49.5	50	-	-	71.1	80	9.5	32,400
	HKTPD15	49.5	50	24.7	25	102	110	14.25	48,600
DP3CH3641AB	HKTPD05	24.7	25	-	-	28.5	30	4.75	16,200
	HKTPD08	36.5	40	-	-	60.8	60	7	23,800
	HKTPD10	49.5	50	-	-	73.8	80	9.5	32,400
	HKTPD15	49.5	50	24.7	25	104.7	110	14.25	48,600
DP3CH4241AB	HKTPD05	24.7	25	-	-	30.1	30	4.75	16,200
	HKTPD08	36.5	40	-	-	35.7	70	7	23,800
	HKTPD10	49.5	50	-	-	78.7	80	9.5	32,400
	HKTPD15	49.5	50	24.7	25	109.6	110	14.25	48,600
	HKTPD20	49.5	50	49.5	50	140.6	150	19	64,800
DP3CH4841AB	HKTPD05	25	25	-	-	30.1	35	4.75	16,200
	HKTPD08	36	40	-	-	38.1	80	7	23,800
	HKTPD10	49	50	-	-	81.1	90	9.5	32,400
	HKTPD15	49	50	25	25	112	125	14.25	48,600
	HKTPD20	49	50	49	50	143	150	19	64,800
DP3CH6041AB	HKTPD05	24.7	25	-	-	31.5	35	4.75	16,200
	HKTPD08	36.5	40	-	-	73.4	80	7	23,800
	HKTPD10	49.5	50	-	-	86.4	90	9.5	32,400
	HKTPD15	49.5	50	24.7	25	117.3	125	14.25	48,600
	HKTPD20	49.5	50	49.5	50	148.3	150	19	64,800

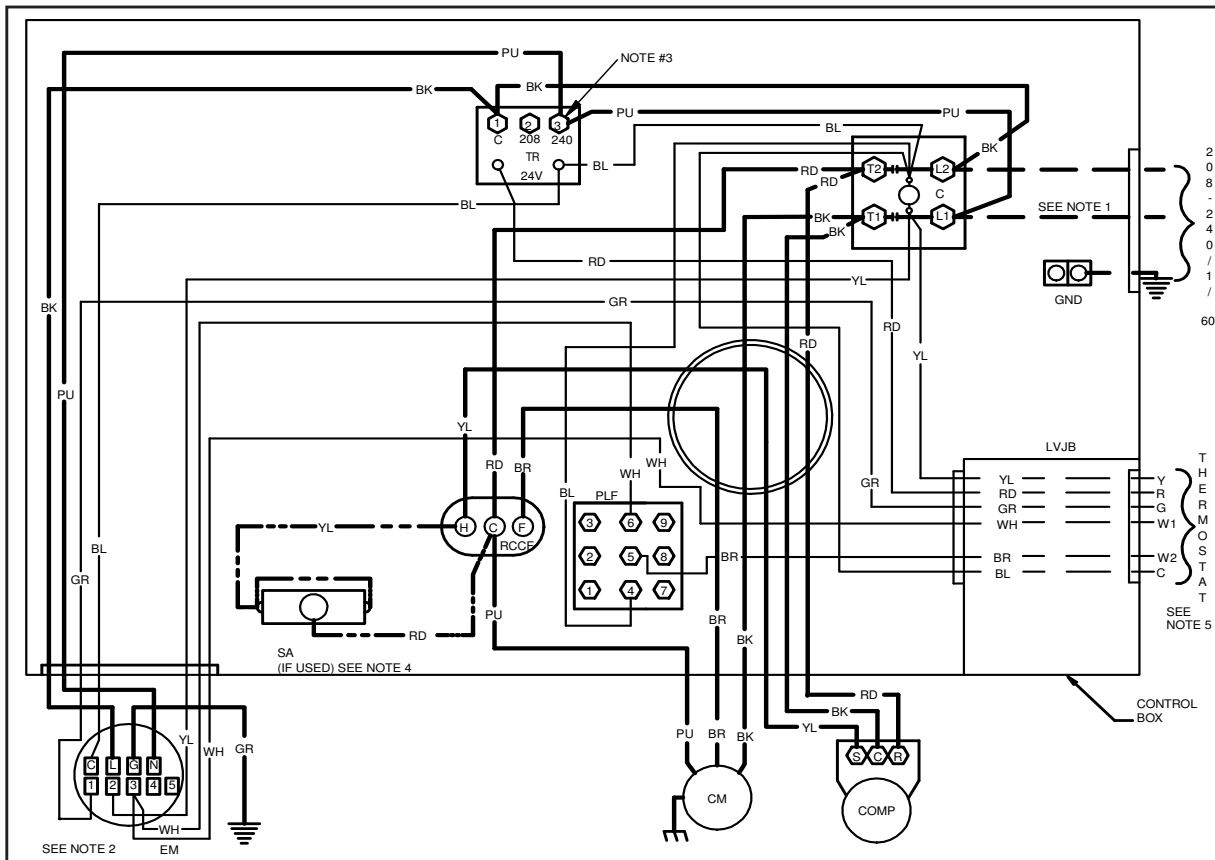
\* - Minimum Circuit Ampacity  
 \*\* - Maximum Overload Protection



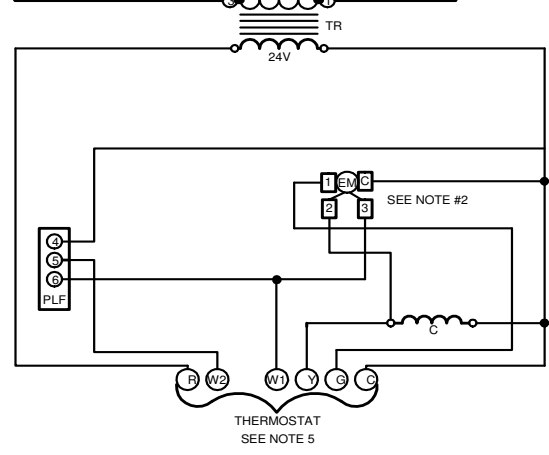
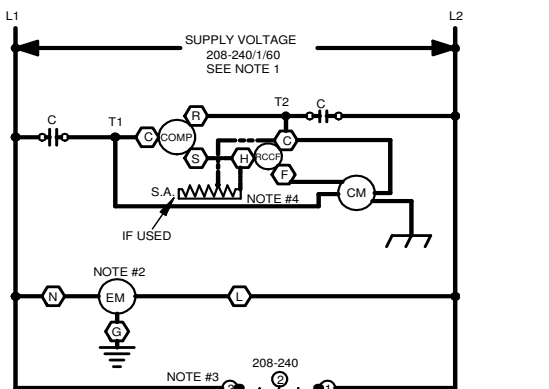
BACK VIEW  
(DUCT OPENINGS)

MODEL	DIMENSIONS					CHASSIS SIZE
	W"	D"	H"	A"	B"	
DP3CH2441*	66	34	22	27½	30	Small
DP3CH3041*	66	34	22	27½	30	Small
DP3CH3641*	66	34	22	27½	30	Small
DP3CH4241*	66	34	22	32½	35	Medium
DP3CH4841*	66	34	24	32½	35	Medium
DP3CH6041*	66	34	24	32½	35	Medium

Model	DUCT OPENINGS			
	SUPPLY		RETURN	
	W	H	W	H
DP3CH2441*	14	14	14	22
DP3CH3041*	14	14	14	22
DP3CH3641*	14	14	14	22
DP3CH4241*	14	14	14	22
DP3CH4841*	14	14	14	24
DP3CH6041*	14	14	14	24



SEE NOTE 2 EM



COMPONENT LEGEND

- BR BLOWER INTERLOCK RELAY
- C CONTACTOR
- CH CRACKCASE HEATER
- CM CONDENSER MOTOR
- COMP COMPRESSOR
- EBTDR ELECTRONIC BLOWER TIME DELAY RELAY
- EM EVAPORATOR MOTOR
- FC FAN CAPACITOR
- GND EQUIPMENT GROUND
- LVJB LOW VOLTAGE JUNCTION BOX
- PLF FEMALE PLUG / CONNECTOR
- RCCF RUN CAPACITOR FOR COMPRESSOR AND FAN
- SA START ASSIST
- TR TRANSFORMER

FACTORY WIRING

- LINE VOLTAGE
- LOW VOLTAGE
- OPTIONAL HIGH VOLTAGE

FIELD WIRING

- - HIGH VOLTAGE
- - LOW VOLTAGE

- WIRE CODE
- BK BLACK
  - BL BLUE
  - BR BROWN
  - GR GREEN
  - OR ORANGE
  - PU PURPLE
  - RD RED
  - WH WHITE
  - YL YELLOW

- JUNCTION
- TERMINAL
- INTERNAL TO INTEGRATED CONTROL
- PLUG CONNECTION
- SWITCH (PRESS.)
- OVERCURRENT PROT. DEVICE

- EQUIPMENT GROUND
- FIELD GROUND
- FIELD SPLICE
- SWITCH (TEMP)
- IGNITER

NOTES:

1. REPLACEMENT WIRE MUST BE SAME SIZE AND TYPE INSULATION AS ORIGINAL (AT LEAST 105°C) USE COPPER CONDUCTOR ONLY.
2. TO CHANGE EVAPORATOR MOTOR SPEED REPLACE LEAD ON EBTDR "COM" WITH LEAD ON EBTDR "M1" OR "M2"
3. FOR 208 VOLT TRANSFORMER OPERATION MOVE PURPLE WIRES FROM TERMINAL 3 TERMINAL 2 ON TRANSFORMER.
4. START ASSIST FACTOR EQUIPPED WHEN REQUIRED
5. USE COPPER CONDUCTORS ONLY USE N.E.C. CLASS 2 WIRE

SEE UNIT RATING PLATE FOR TYPE AND SIZE OF OVER CURRENT PROTECTION



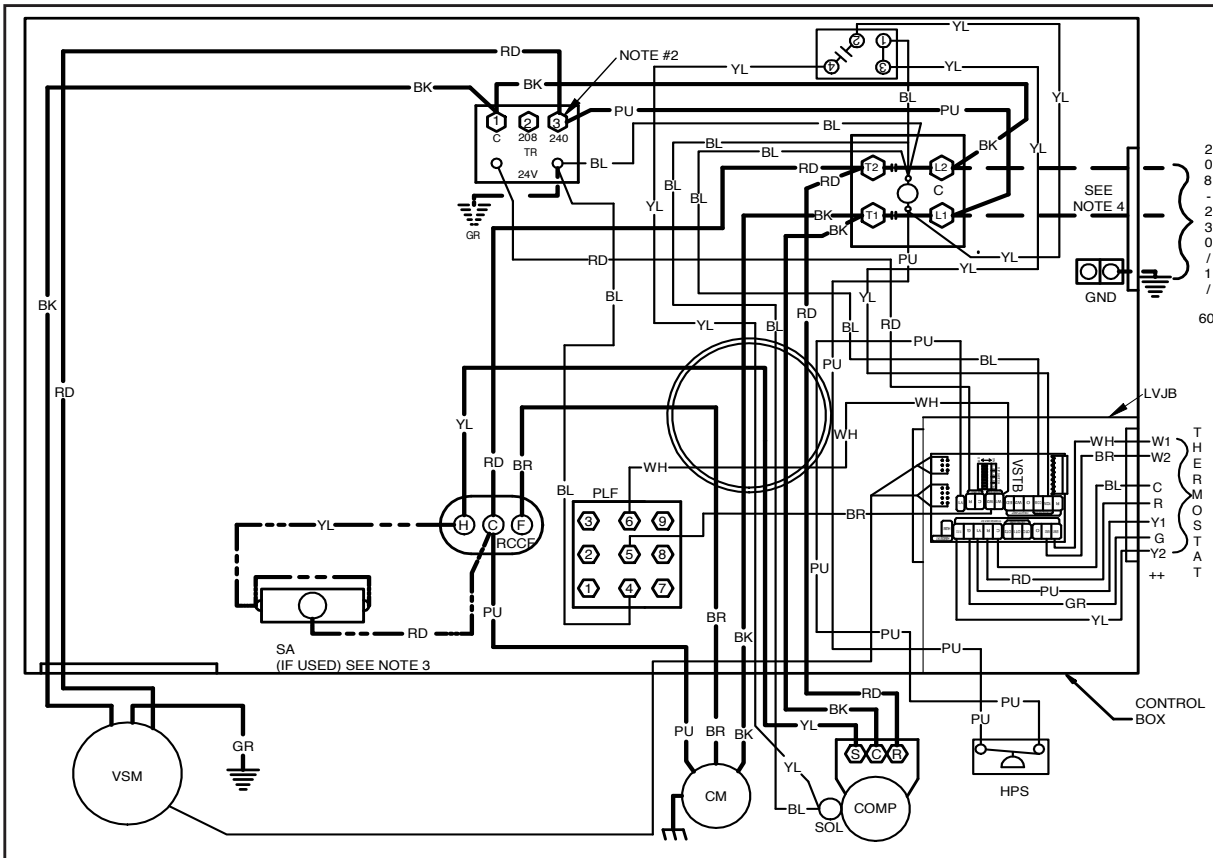
208-240/1/60 0140G00407-C

**WARNING**

High Voltage: Disconnect all power before servicing or installing this unit. Multiple power sources may be present. Failure to do so may cause property damage, personal injury, or death.

Wiring is subject to change. Always refer to the wiring diagram on the unit for the most up-to-date wiring.



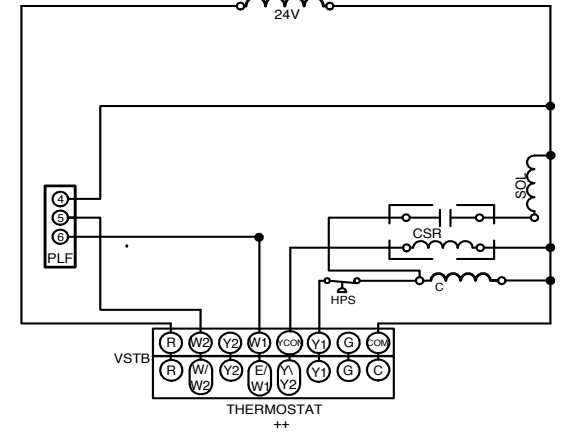
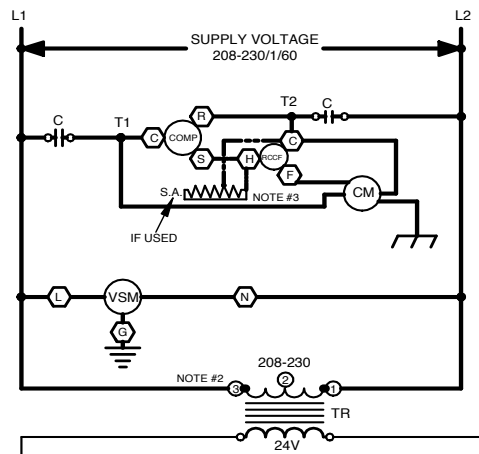


**High Voltage:** Disconnect all power before servicing or installing this unit. Multiple power sources may be present. Failure to do so may cause property damage, personal injury, or death.

**WARNING**



Wiring is subject to change. Always refer to the wiring diagram on the unit for the most up-to-date wiring.



**COMPONENT LEGEND**

- C CONTACTOR
- CM CONDENSER MOTOR
- COMP COMPRESSOR
- EM EVAPORATOR MOTOR
- GND EQUIPMENT GROUND
- LVJB LOW VOLTAGE JUNCTION BOX
- PLF FEMALE PLUG / CONNECTOR
- RCCF RUN CAPACITOR FOR COMPRESSOR AND FAN
- SA START ASSIST TRANSFORMER
- TR TRANSFORMER
- HPS HIGH PRESSURE SWITCH
- CSR COMPRESSOR SOLENOID RELAY
- SOL HI STAGE SOLENOID

**FACTORY WIRING**

- LINE VOLTAGE
- LOW VOLTAGE
- OPTIONAL HIGH VOLTAGE

**FIELD WIRING**

- - - HIGH VOLTAGE
- - - LOW VOLTAGE

**WIRE CODE**

- BK BLACK
- BL BLUE
- BR BROWN
- GR GREEN
- OR ORANGE
- PU PURPLE
- RD RED
- WH WHITE
- YL YELLOW

- JUNCTION
- TERMINAL
- INTERNAL TO INTEGRATED CONTROL
- PLUG CONNECTION
- SWITCH (PRESS.)
- OVERCURRENT PROT. DEVICE

- EQUIPMENT GROUND
- FIELD GROUND
- FIELD SPLICE
- SWITCH (TEMP)
- IGNITER

**NOTES:**

1. REPLACEMENT WIRE MUST BE SAME SIZE AND TYPE INSULATION AS ORIGINAL (AT LEAST 105°C) USE COPPER CONDUCTOR ONLY.
  2. FOR 208 VOLT TRANSFORMER OPERATION MOVE PURPLE WIRES FROM TERMINAL 3 TO TERMINAL 2 ON TRANSFORMER.
  3. START ASSIST FACTOR EQUIPED WHEN REQUIRED
  4. USE COPPER CONDUCTORS ONLY
- + + USE N.E.C. CLASS 2 WIRE

SEE UNIT RATING PLATE FOR TYPE AND SIZE OF OVER CURRENT PROTECTION



208-230/1/60 0140G03704-B

ACCESSORIES

ACCESSORY DESCRIPTION	ITEM NUMBER	
	SMALL CHASSIS	MEDIUM/LARGE CHASSIS
Downflow Economizer (use w/PCCP roof curb)	DDNECNJPCHHA	DDNECNJPCHHA
Downflow Plenum Kit (use w/PCCP roof curb)	PCP101-103	PCP101-103
Downflow Plenum Kit (R-8) (use w/PCCP roof curb)	PCP101-103 R8	PCP101-103 R8
Elbow Flashing w/R-8 Liner	PCEF101-103	PCEF101-103
Economizer Wiring Harness	0259G00213	0259G00213
External Horizontal Filter Rack	DPHFRA	DPHFRA
Horizontal Economizer	DHZECNJPCHM	DHZECNJPCHM
Inline Fuse Kit	INFKPKG01	INFKPKG01
Manual Damper	PCMD101-103	PCMD101-103
Manual Damper - Horizontal	GPHMD101-103	GPHMD101-103
Motorized Damper	PCMDM101-103	PCMDM101-103
Outdoor Thermostat Kit w/ Lockout Stat	OT18-60A	OT18-60A
Roof Curb	PCCP101-103	PCCP101-103
Square to Round Downflow (use w/PCCP roof curb)	SQRPC101	SQRPC102-103
Square to Round Horizontal	SQRPCH101	SQRPCH102-103